

1/12 MINI **HYPERST**

1:12 RTR NITRO MINI-TRUGGY



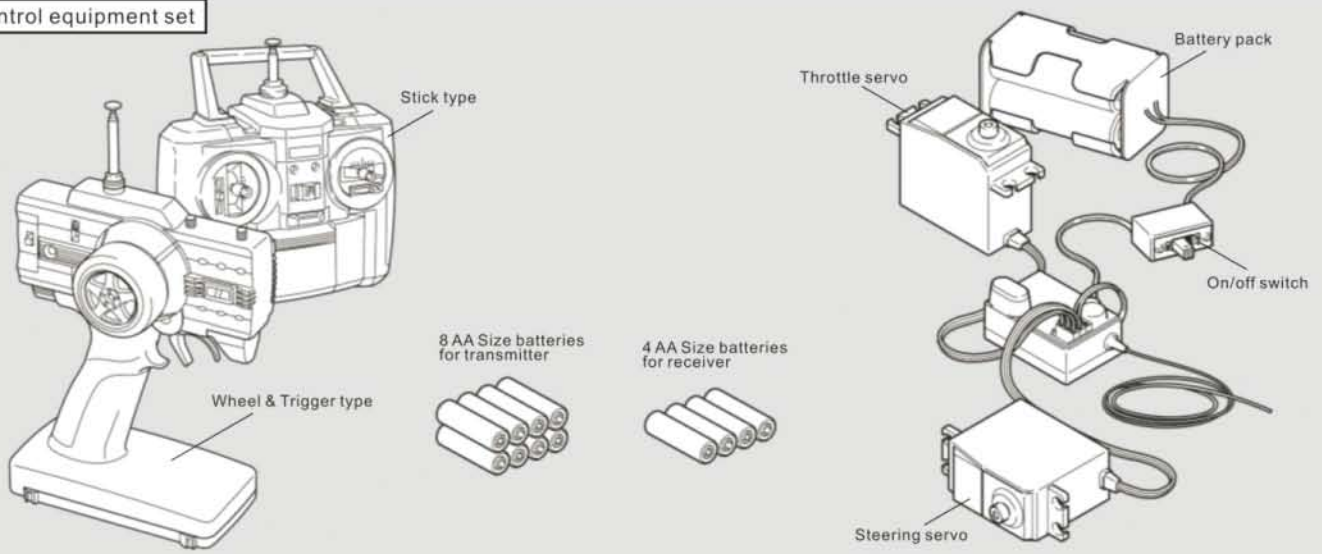
INSTRUCTION MANUAL

HOBBAO

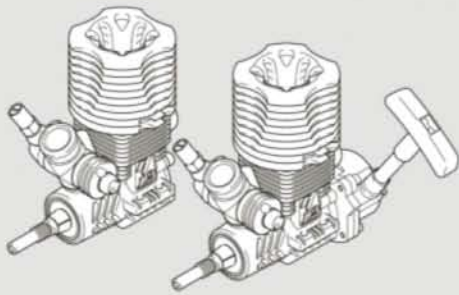
12 MINI HYPER 4

Required

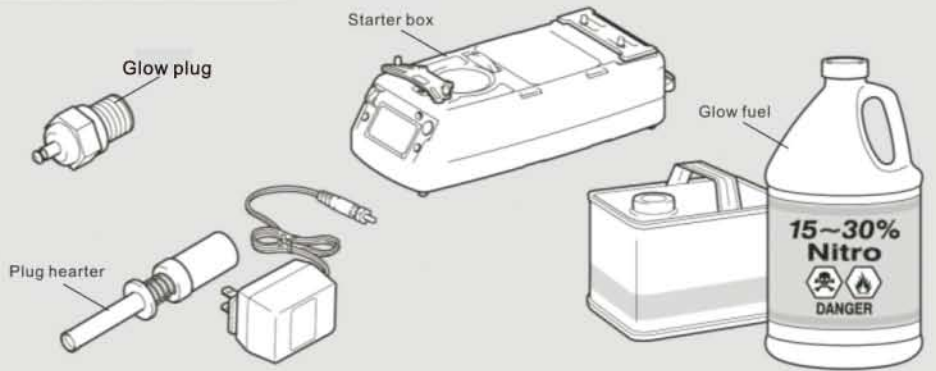
Radio control equipment set



Hyper Engine SERIES



Required for engine starting



Tools recommended

Hex wrench with 2.5mm



2mm



1.5mm



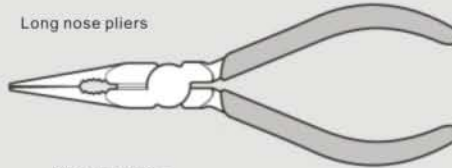
⊕ Screwdriver (small)



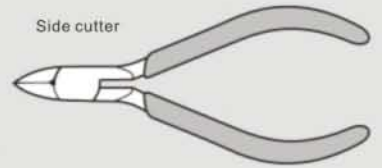
⊖ Screwdriver



Long nose pliers



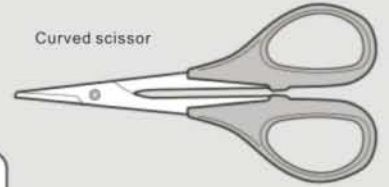
Side cutter



Modeling knife



Curved scissor



Instant cement



Thread lock



Instant cement



Rubber cement



Included items

Hex wrench with

1.5mm

2mm

2.5mm

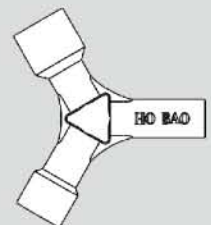
3mm



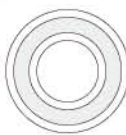



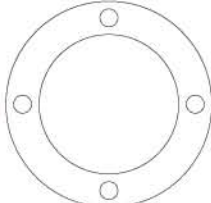

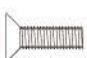
Fuel bottle

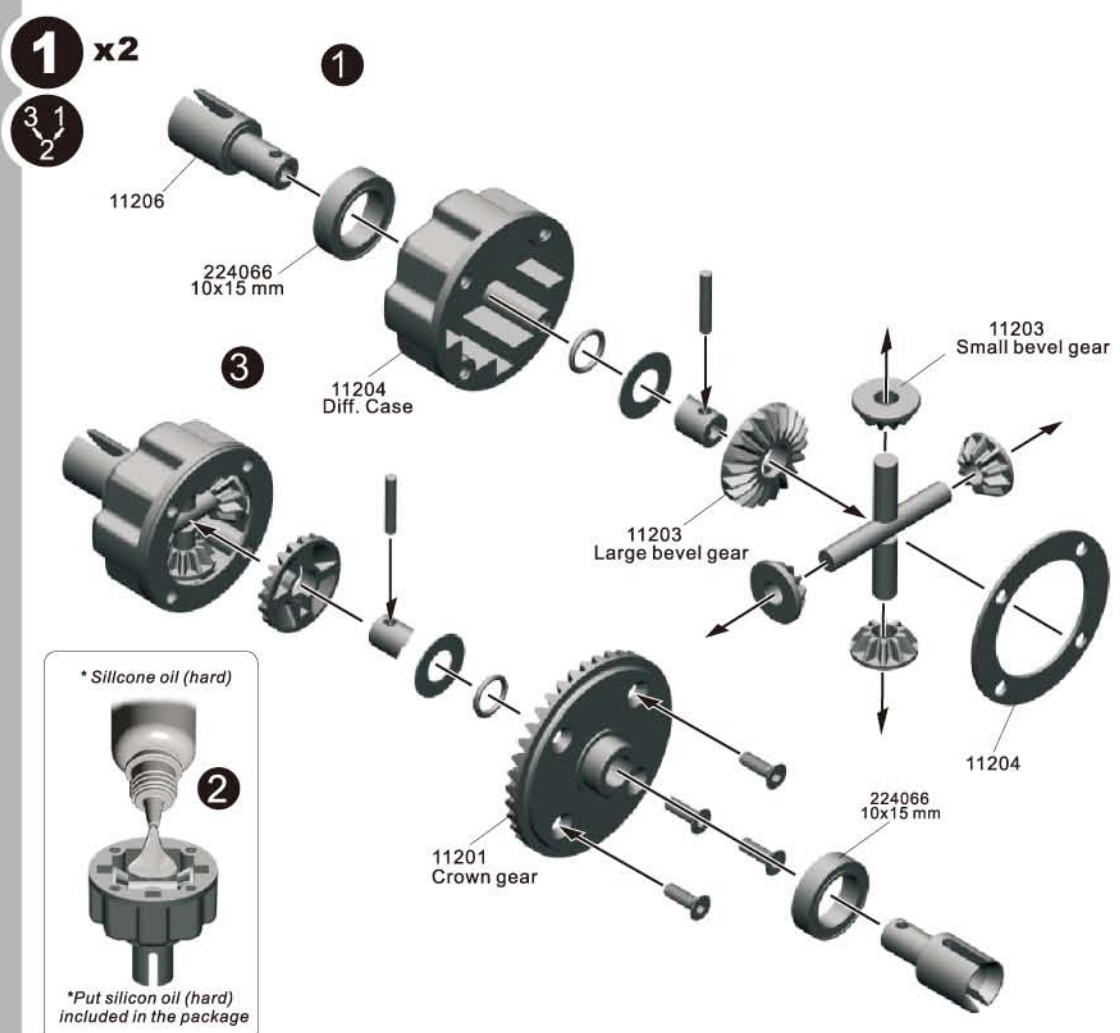


Wrench





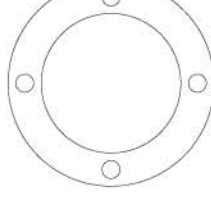




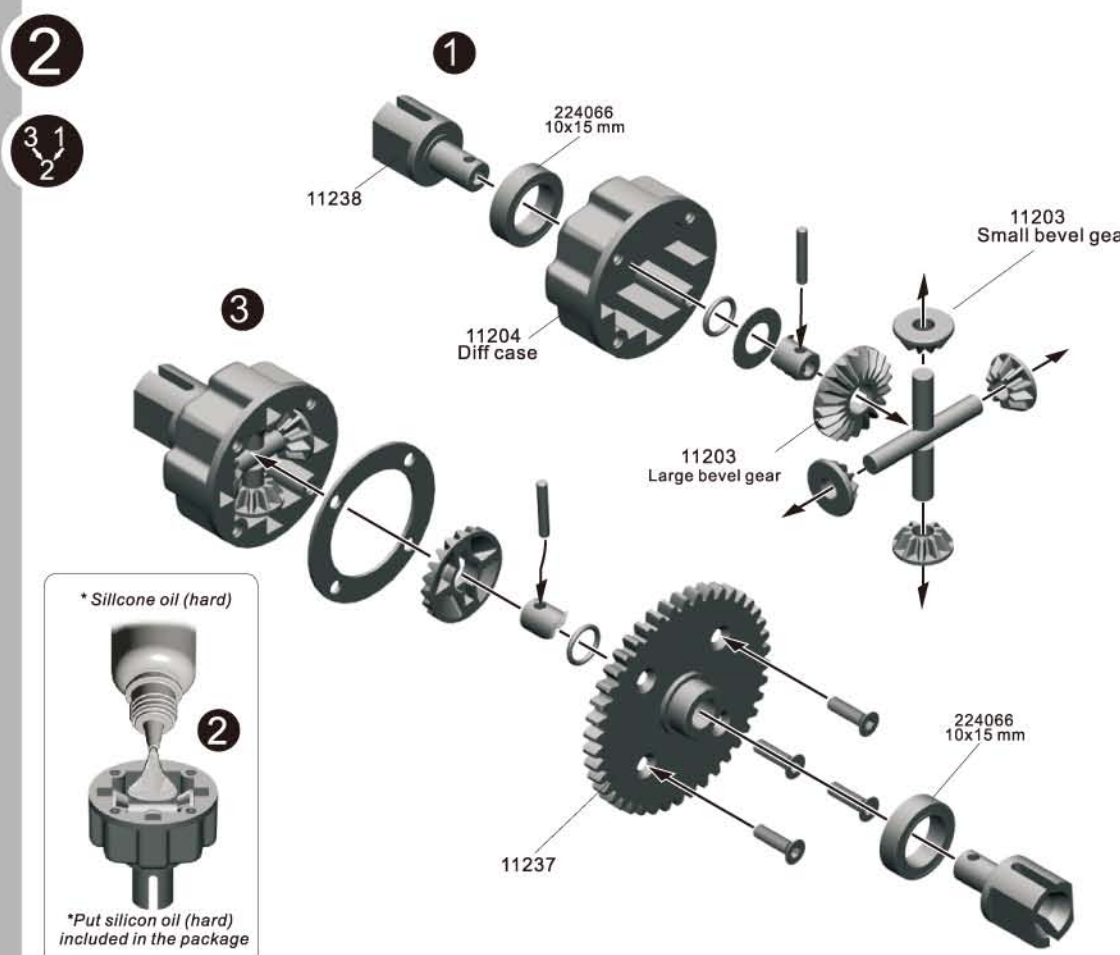
Assembly of Front/Rear Differential

-  224066
10x15mm
Ball bearing
-  11203
2x11.8mm x2
Shaft
-  11203
4x26.9mm x2
Shaft
-  11203
6x8mm x2
O-ring
-  11204
Seal x1
-  11203
6x12mm x2
Washer
-  31210
2.6x10mm x4
F/H screw


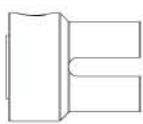
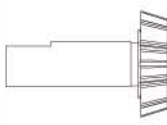
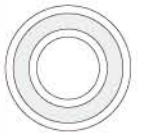


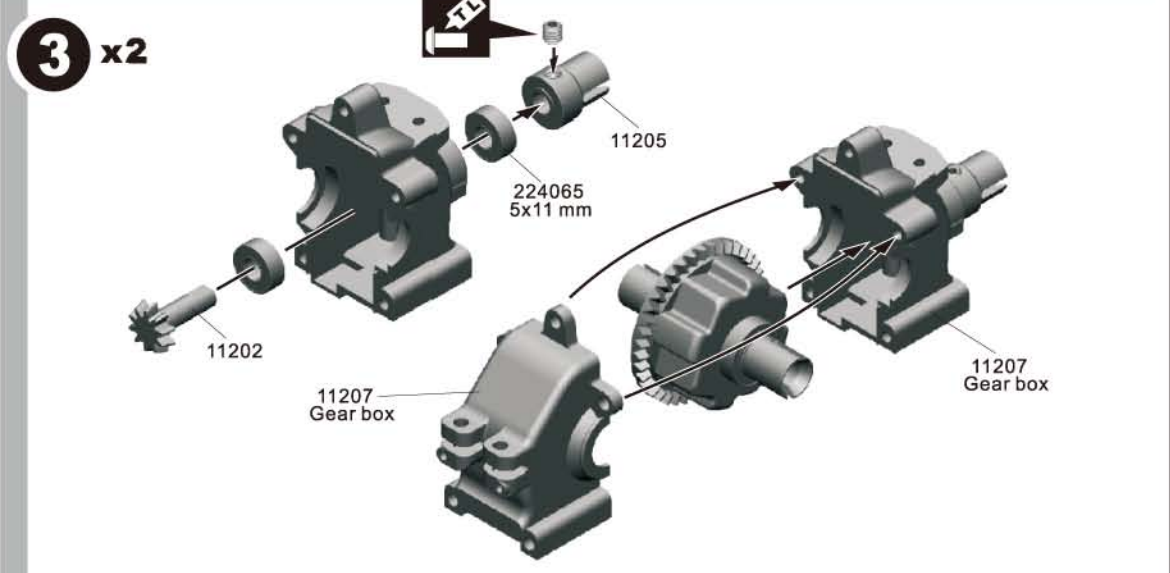
Assembly of Center Differential

-  224066
10x15mm
Ball bearing
-  11203
2x11.8mm x2
Shaft
-  11203
4x26.9mm x2
Shaft
-  11203
6x8mm x2
O-ring
-  11204
Seal x1
-  11203
6x12mm x2
Washer
-  31210
M2.6x10mm x4
F/H screw

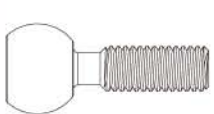




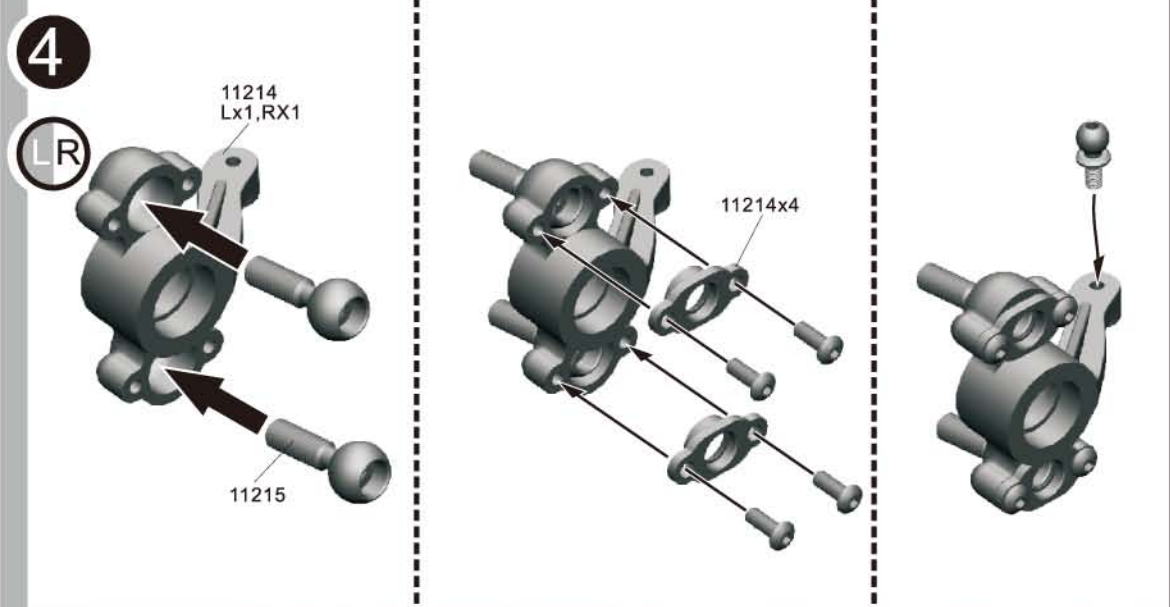
Assembly of Front/Rear Gear box

-  38404
4x4mm x2
Set screw
-  11205
Steel joint cup x2
-  11202
Drive pinion gear x1
-  224065
5x11mm
Ball bearing

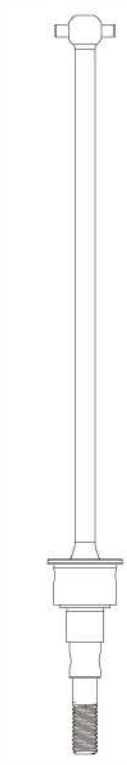



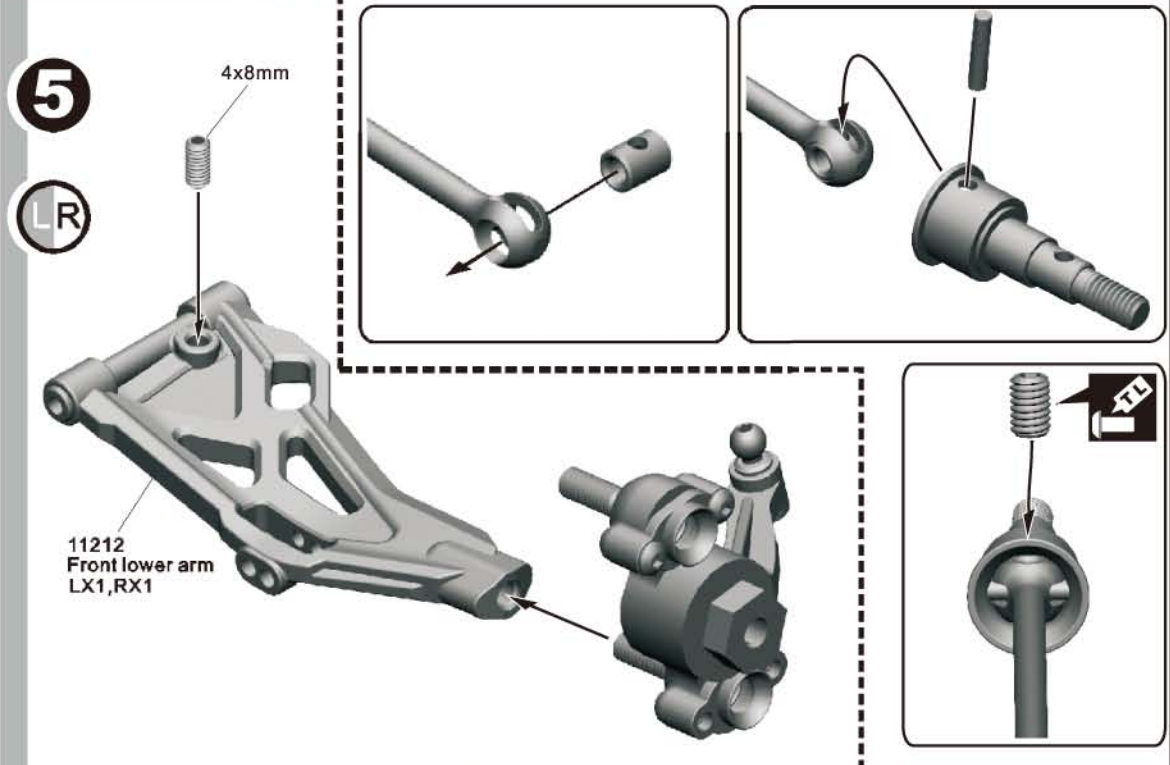
Assembly of Front Suspension Arms : Step1

-  11215
Pillow ball x4
-  33308
3x8mm x4
Screw
-  22012
5.8mm x2
Ball



Assembly of Front Suspension Arms : Step2

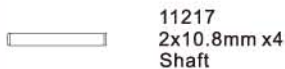
-  11216
CVA Shaft x2
-  38408
4x8mm x2
Set screw



Assembly of Front Suspension Arms : Step3



224066
10x15mm
ball bearing



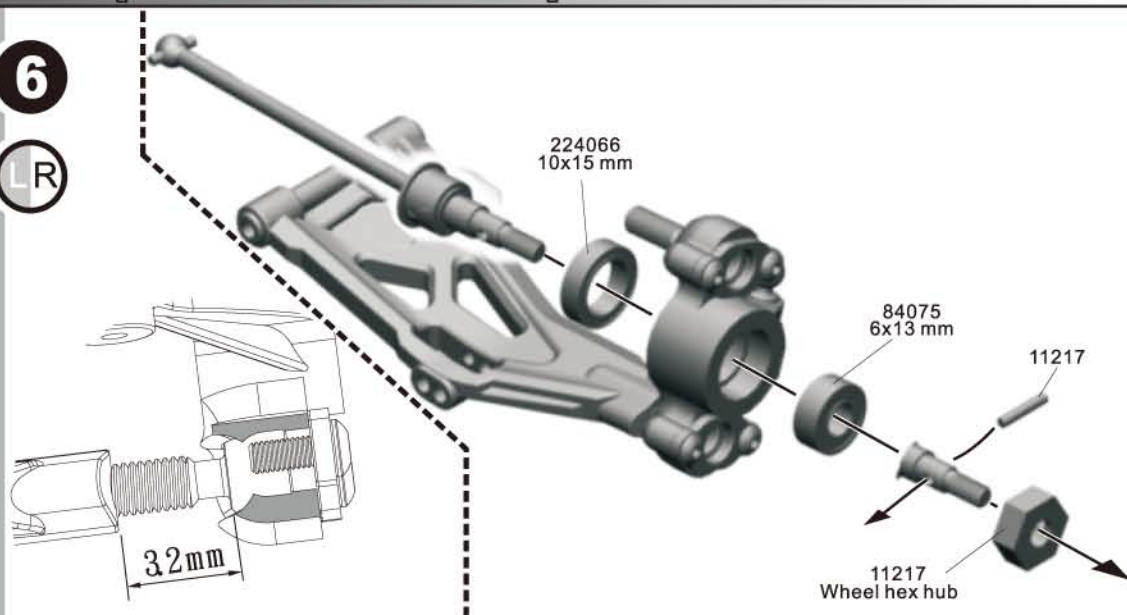
11217
2x10.8mm x4
Shaft



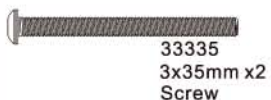
84075
6x13mm
ball bearing

6

LR



Assembly of Front Suspension Arms : Step4



33335
3x35mm x2
Screw



11228
3x51mm x4
Shaft



11229
Plastic shaft gasket x10



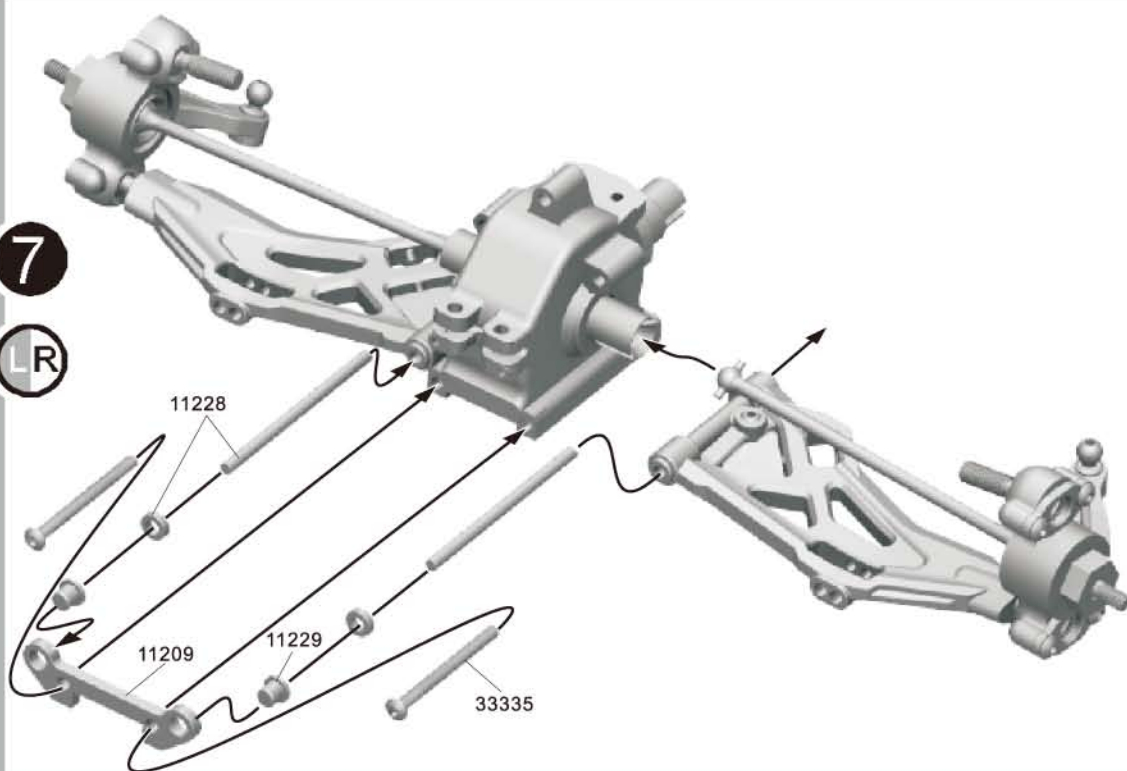
11229
3mm x2



11209
Front lower holder x1

7

LR



Assembly of Front Suspension Arms : Step5



11210
F/R Alum suspension plate x2

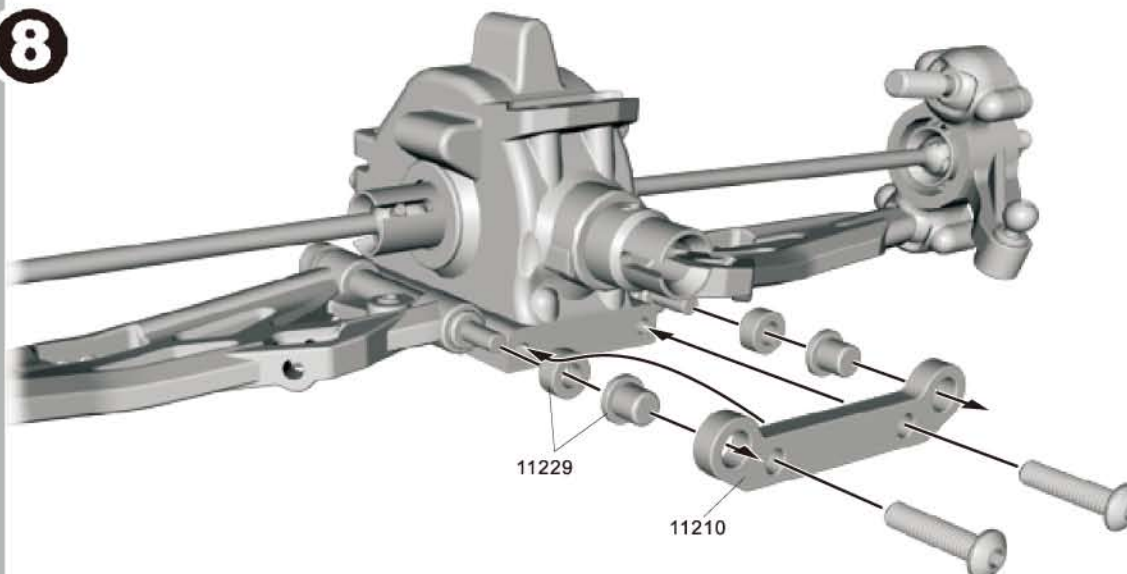


33312
3x12mm x2
Screw



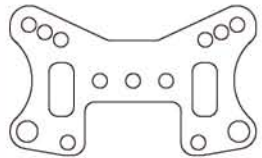
11229
3mm x2

8



Assembly of Front Shock Stay

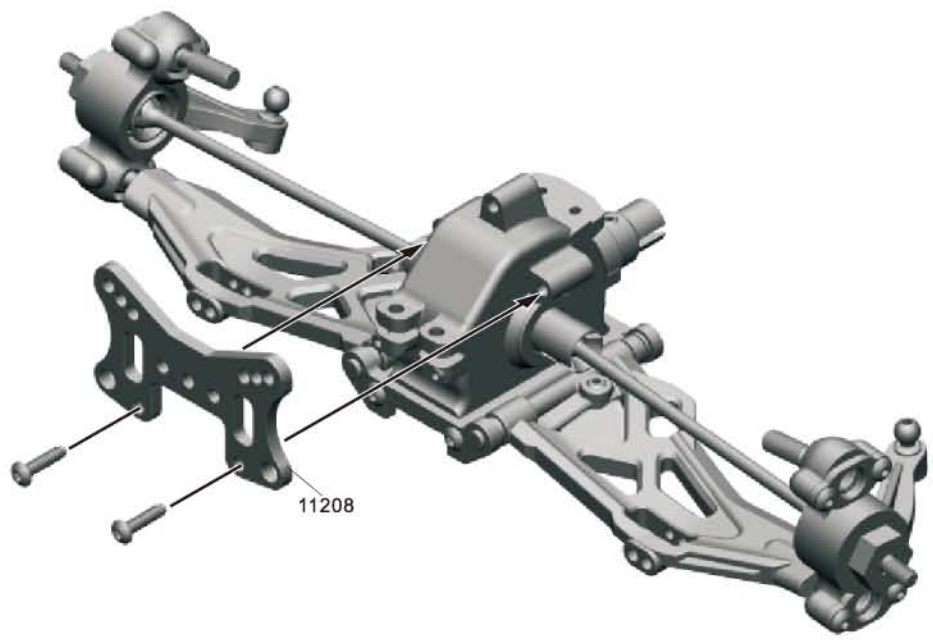
9



11208
Front shock stay



33315
3x15mm x2
Screw

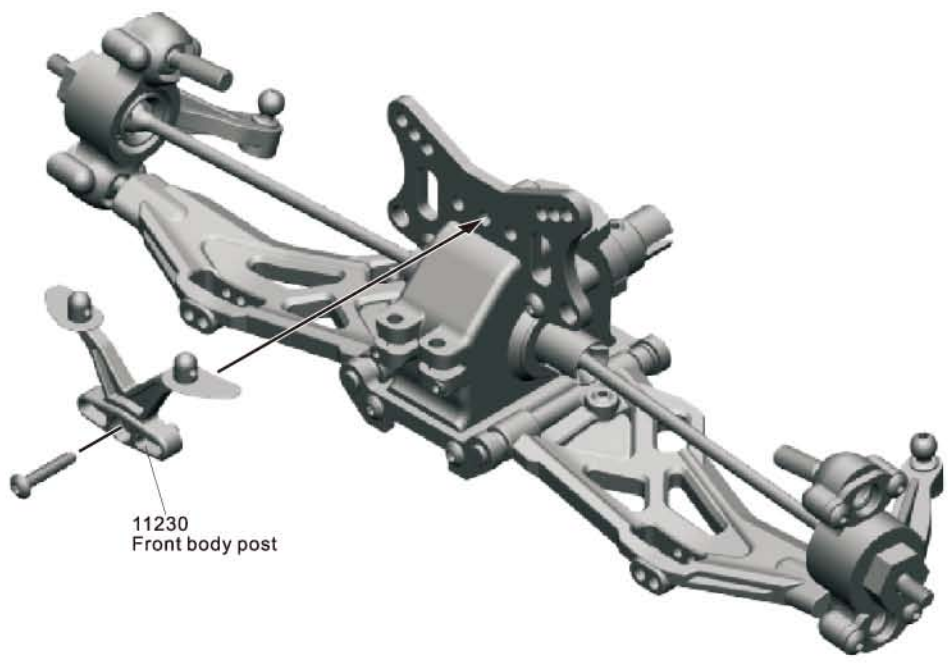


Assembly of Front Body post

10



33315
3x15mm x1
Screw



Assembly of Front Stabilizer : Step1

11



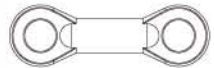
11218x4
5.8mm
Steel ball



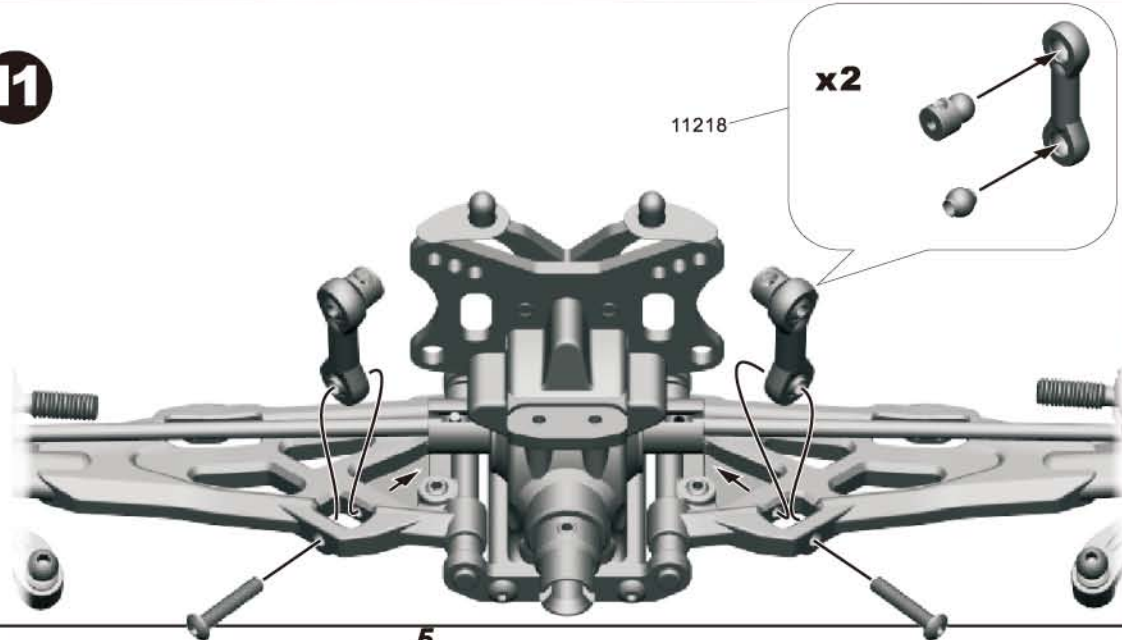
11218
Pivot ball collar x2



33315
3x15mm x2
Screw



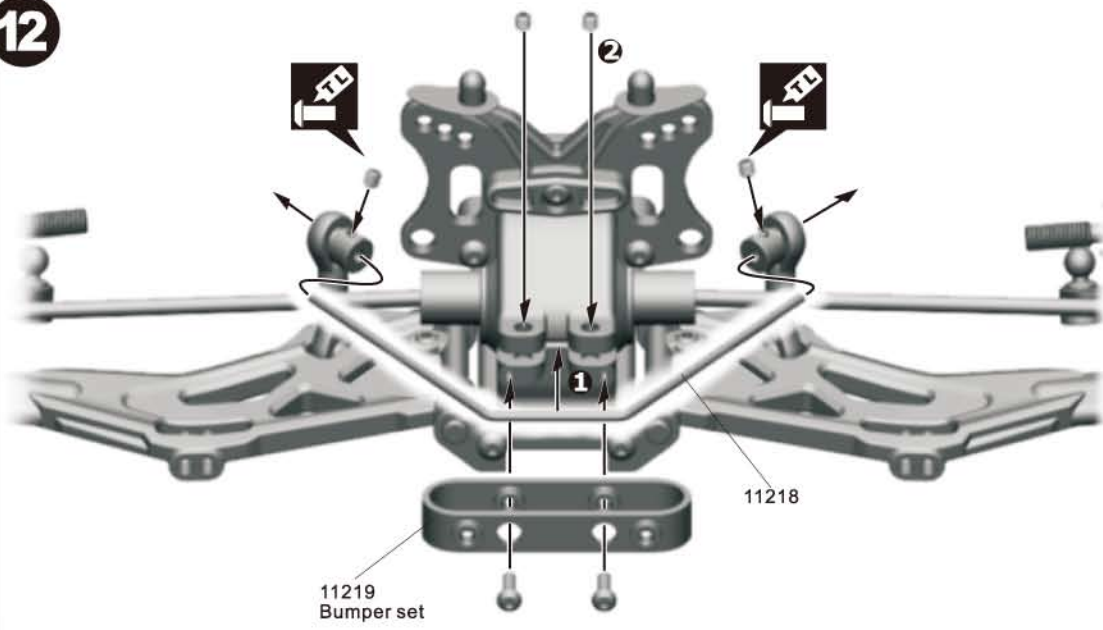
11218
Ball end x2



Assembly of Front Stabilizer : Step2

12




-  38303
3x3mm x2
Set screw
-  38405
4x5mm x2
Set screw
-  36208
2.6x8mm x2
Screw

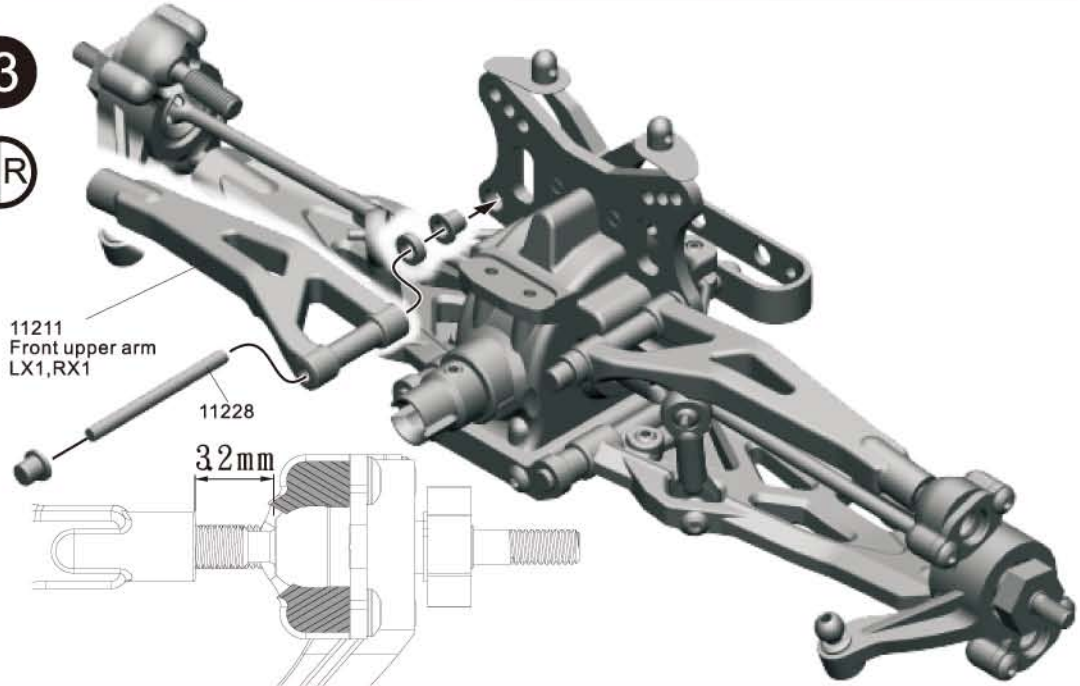


Assembly of Front upper arms

13

LR

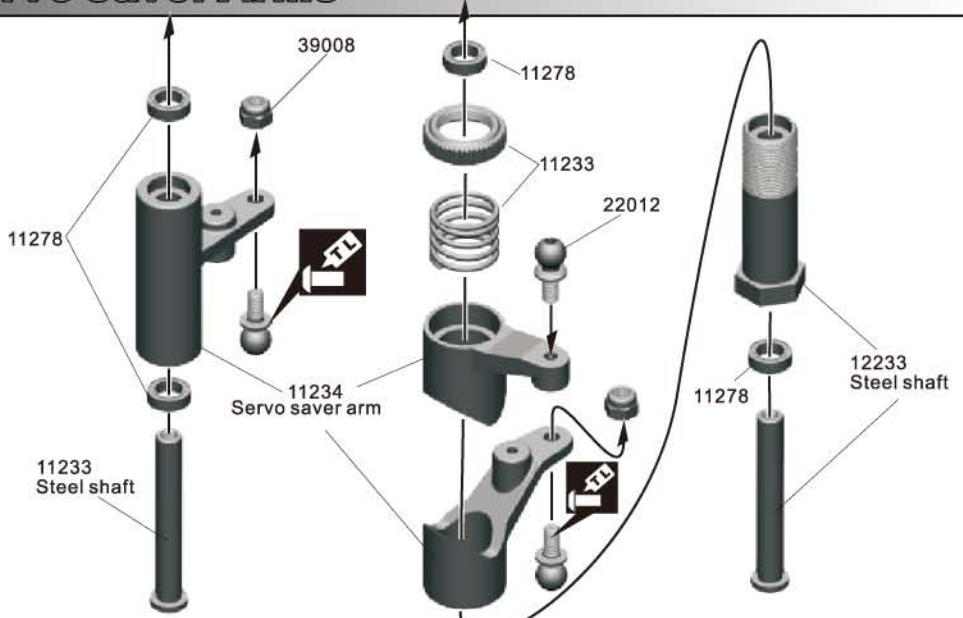
-  11228
3x35mm x2
Shaft
-  11229
Plastic shaft gasket
-  11229
Plastic washer 2mm



Assembly of Steering servo saver Arms

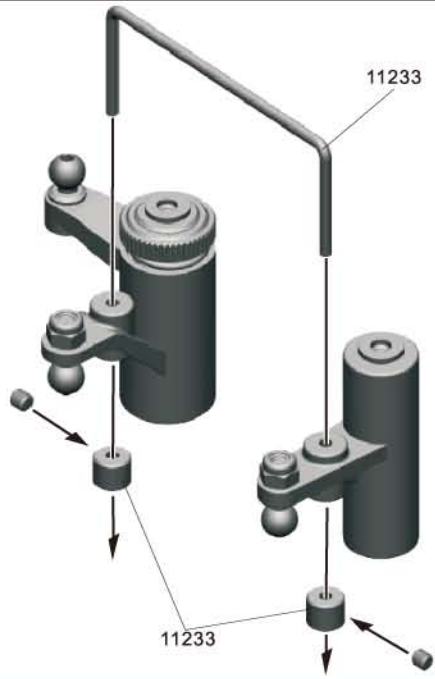
14

-  11233
Alu. nut x1
-  22012
Ball x2
-  39008
M3 Nut x2
-  11278
5x8mm
Bushing
-  11233
Servo saver spring x1
-  11233
Alu. Servo saver x1



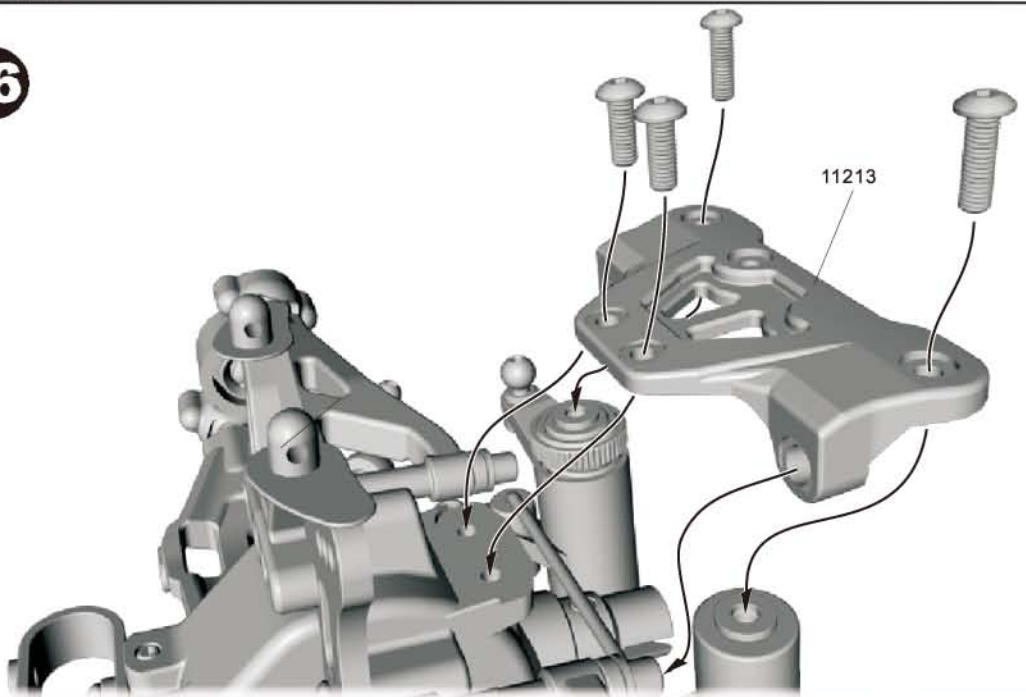
Assembly of Steering Rod

15



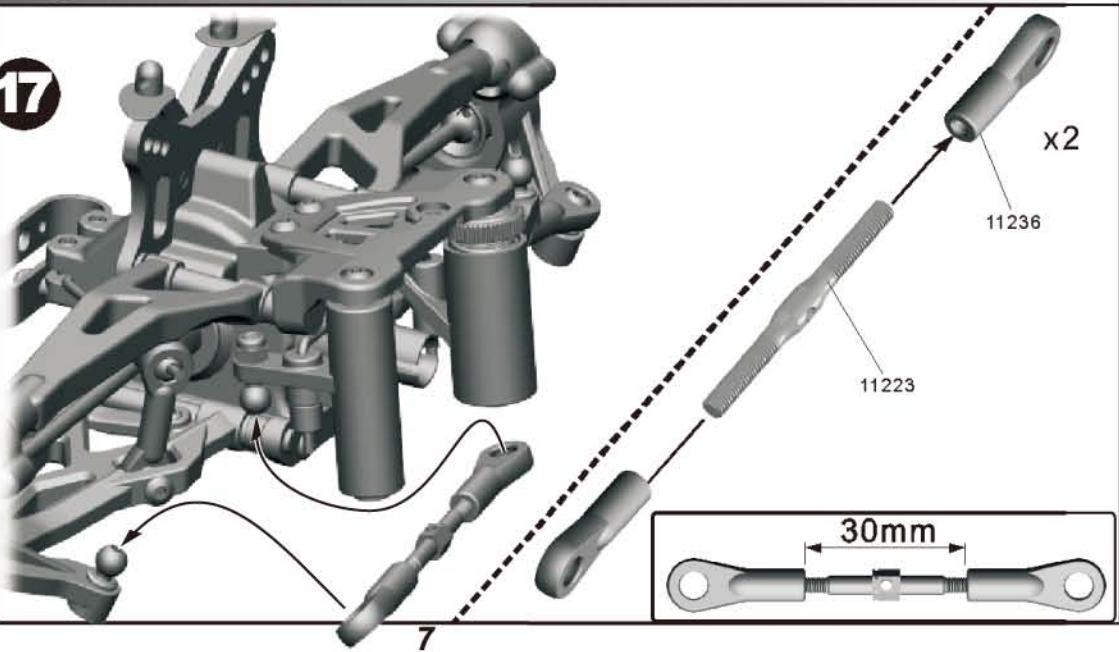
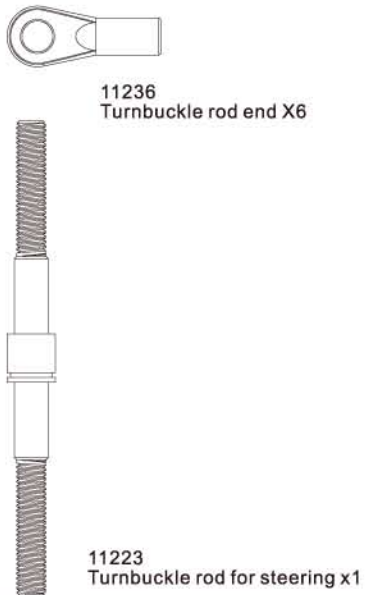
Assembly of Front upper arm holder

16



Assembly of Steering Rod

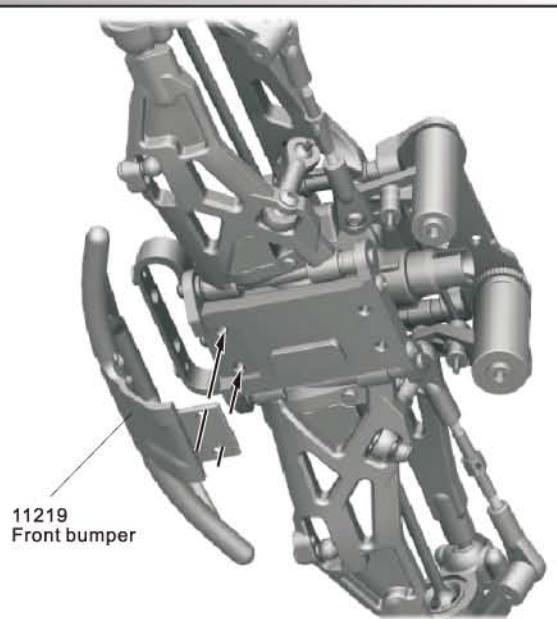
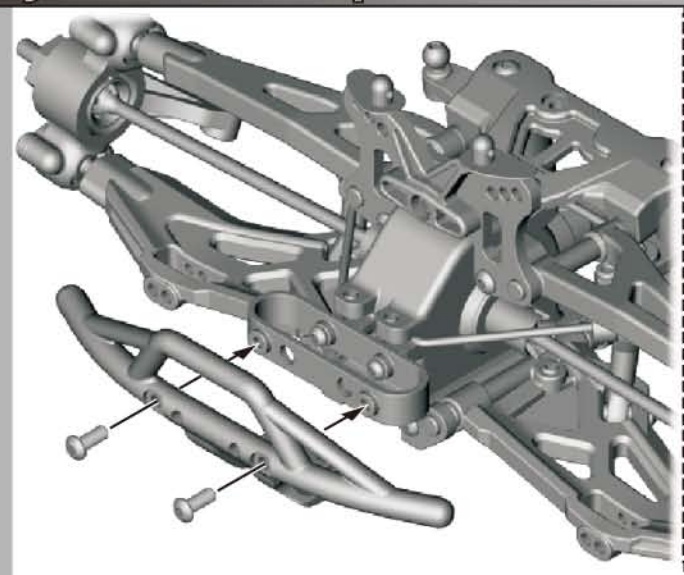
17



Assembly of Front Bumper

18

33308
3x8mm x2
Screw



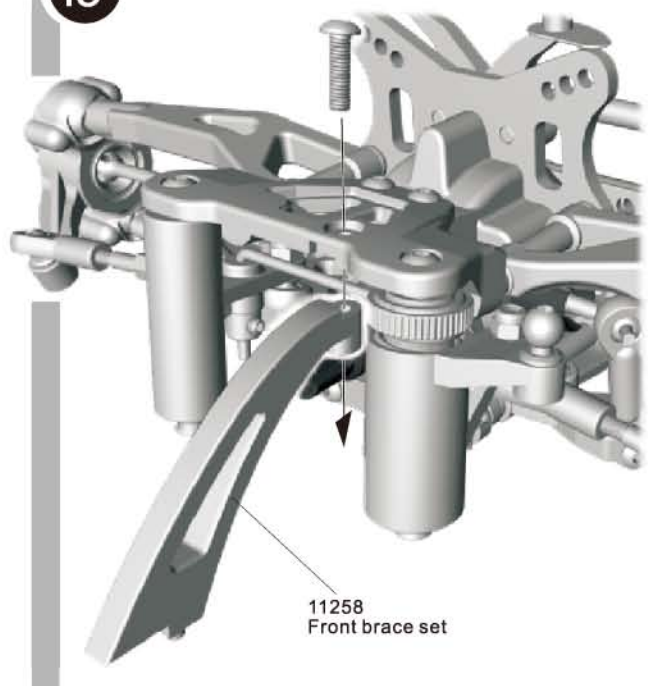
11219
Front bumper

Assembly of Front Brace & Suspension arms onto Chassis

19

33312
3x12mm x1
F/H screw

31310
3x10mm x6
F/H screw



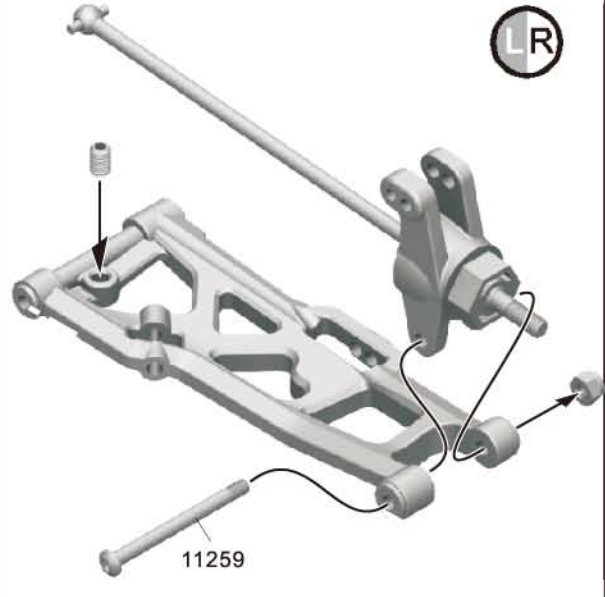
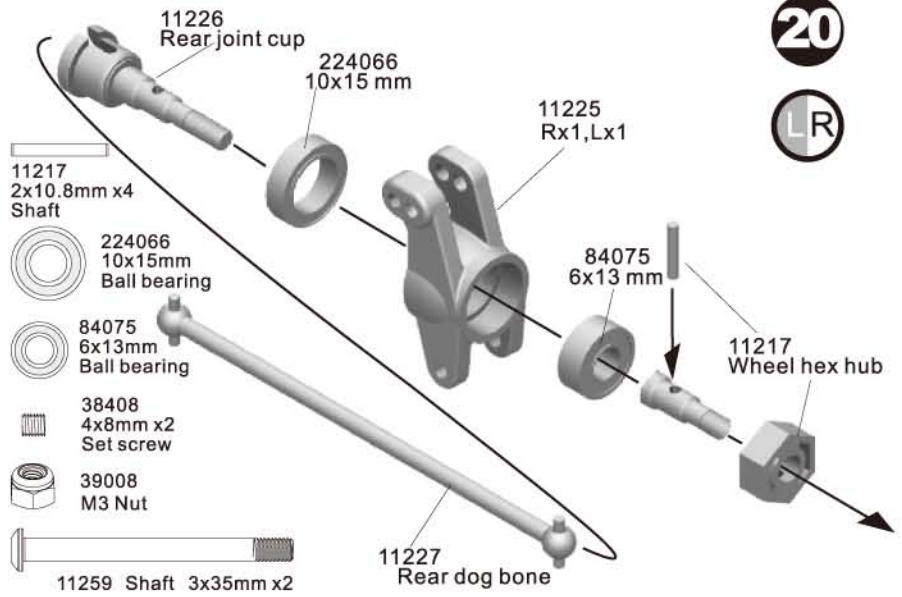
11258
Front brace set



Assembly of Rear Suspension arms : Step1

20

LR



Assembly of Rear Suspension arms : Step2

21
LR



11210
Alu. lower arms holder X1



33312
3x12mm x2
Screw



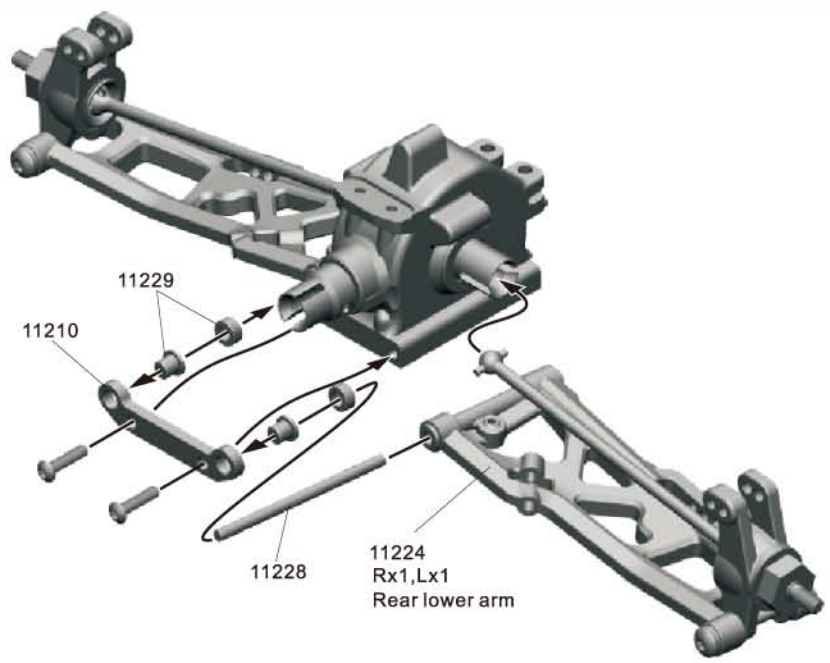
11228
3x51mm x4
Shaft



11229
Plastic washer 3mm



11229
Plastic shaft gasket



Assembly of Rear Suspension arms : Step3

22



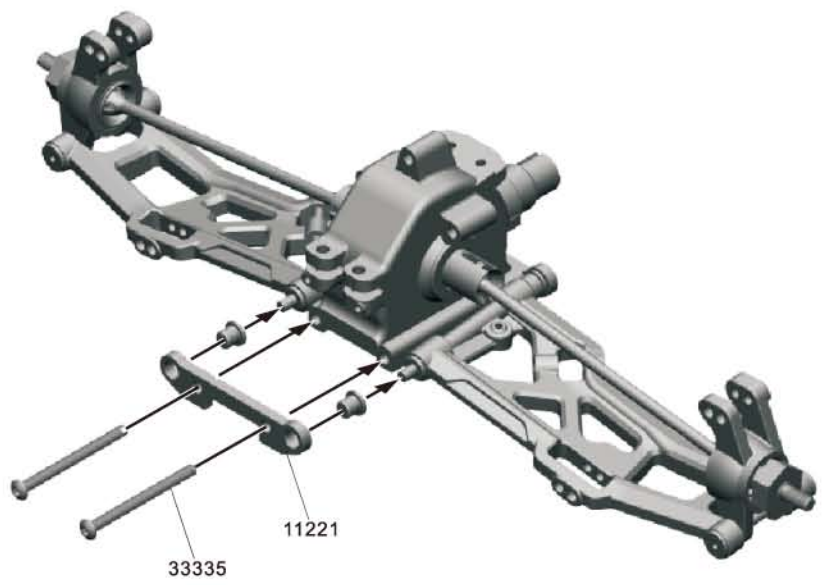
11229
Plastic shaft gasket



33335
3x35mm x2
Screw



11221
Rear lower arms holder-alum x1



Assembly of Rear Shock Stay

23



22012
5.8mm x2
Ball



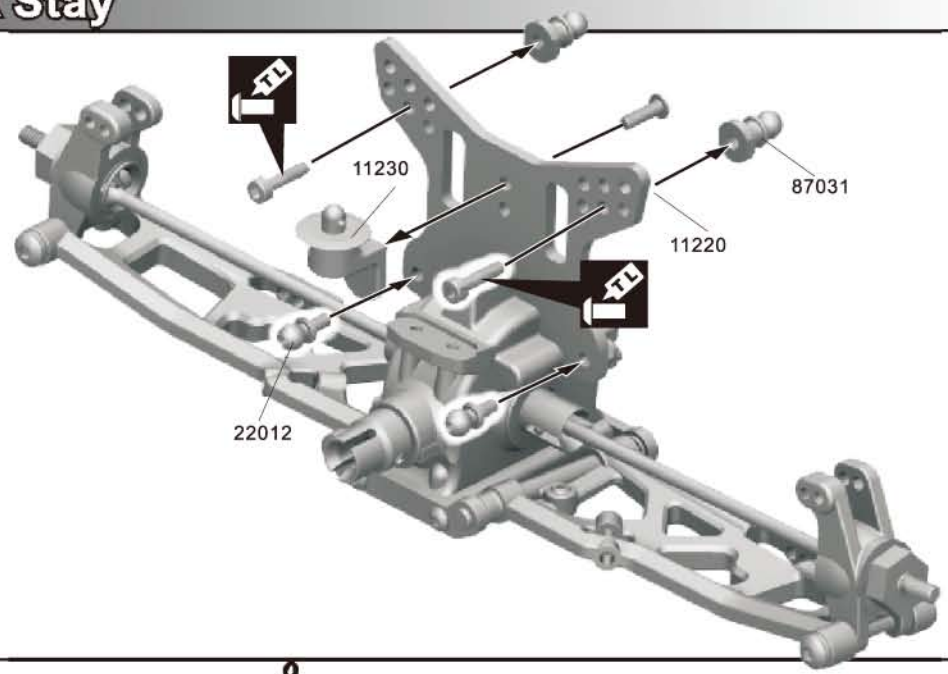
87031
Steel shock ball x2



32312
3x12mm x2



33310
3x10mm x1
Screw



Assembly of Rear Shock Stay

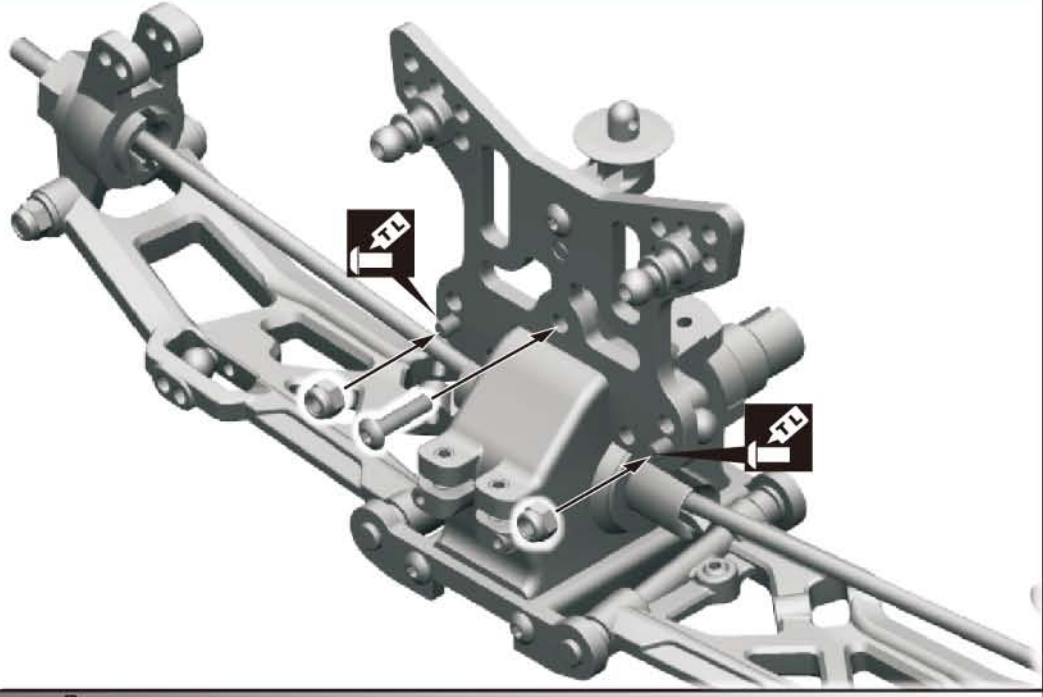
24



33312
3x12mm x1
Screw

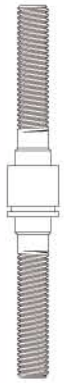


39008
M3 Nut x2



Assembly of Rear Upper Arms

25

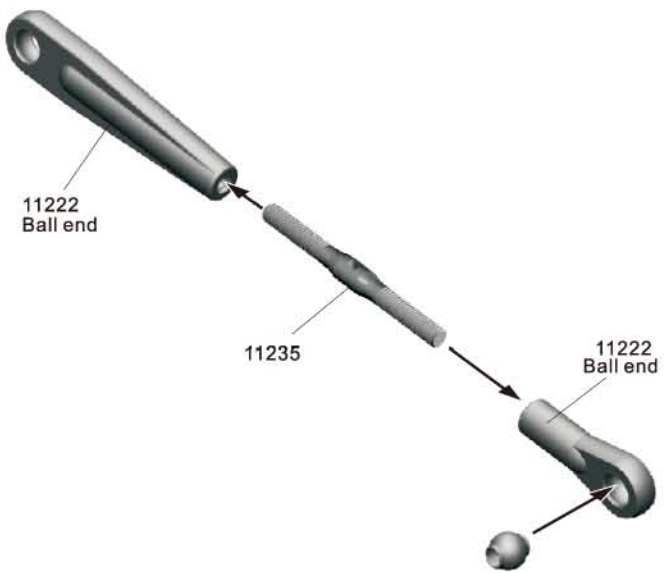


11235
3x36.5mm
Turnbuckle rod for
Rear upper Arm x2



22012
Steel ball x2

x2

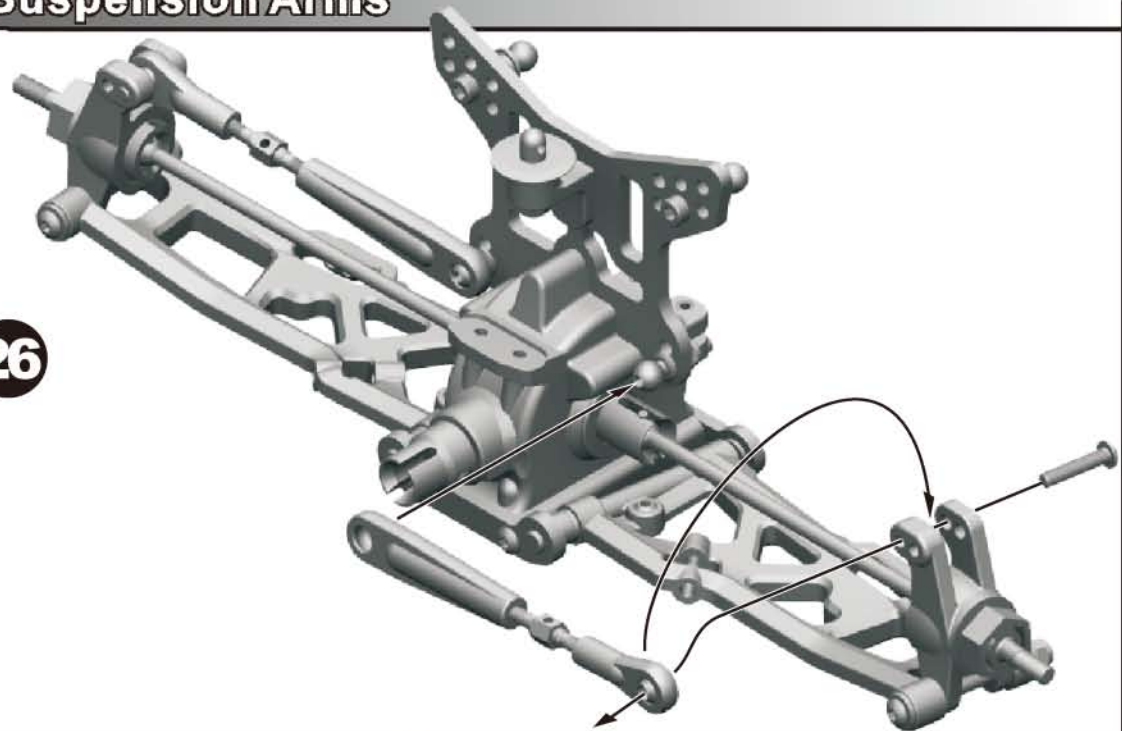


Assembly of Rear Suspension Arms

26



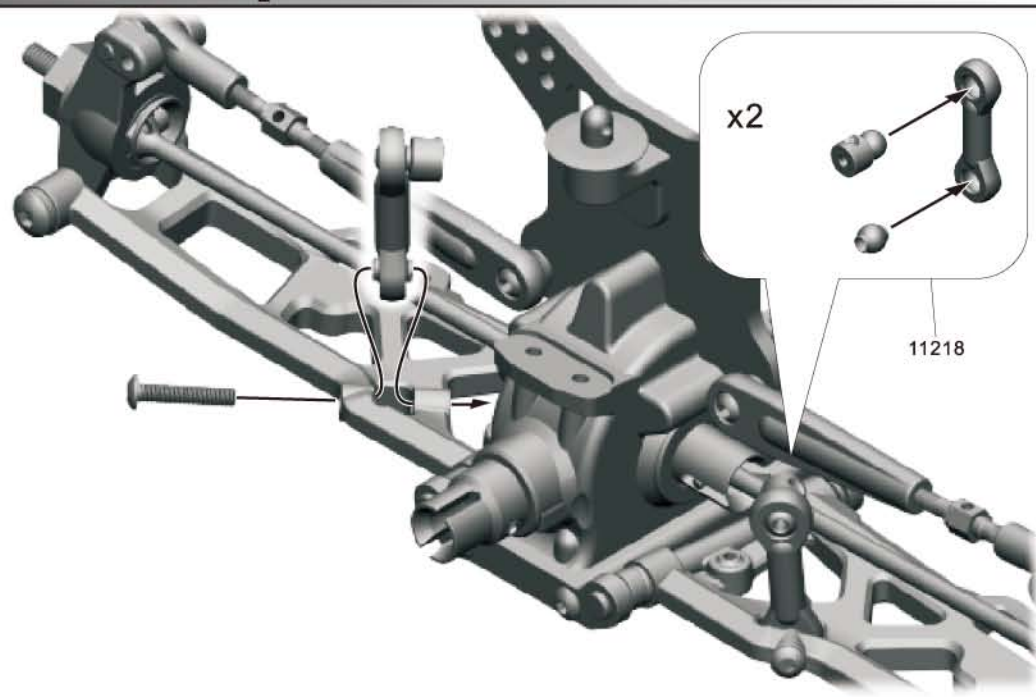
33315
3x15mm x2
Screw





Assembly of Rear Stabilizer : Step1

-  11218
5.8mm Steel ball x4
-  11218
Pivot ball collar x2
-  33315
3x15mm x2
Screw
-  11218
Ball end x2

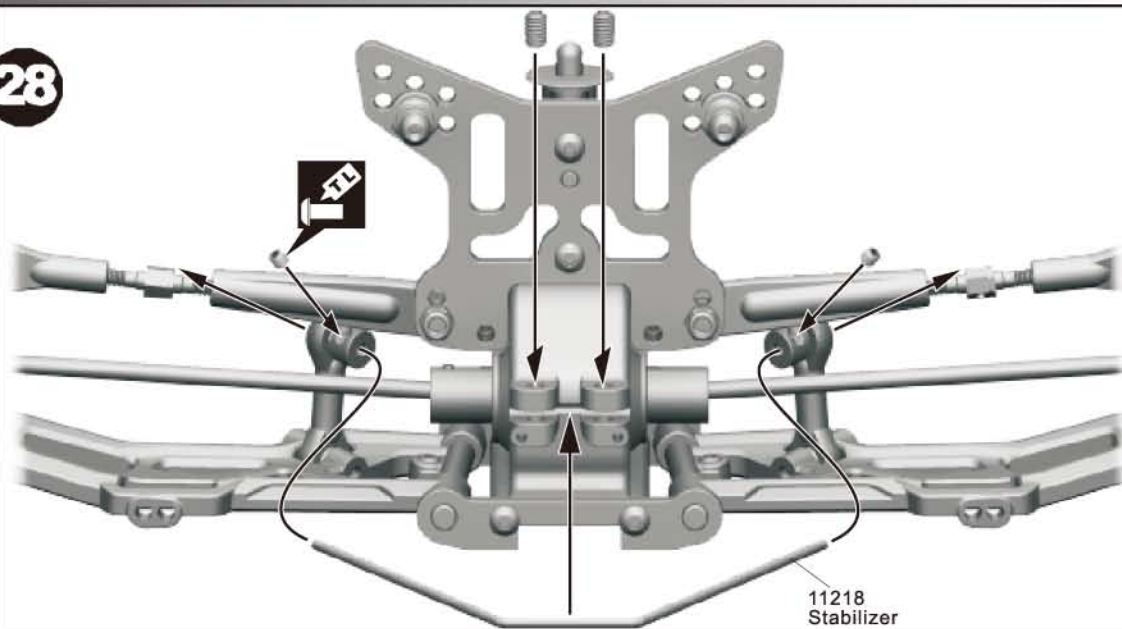
27




Assembly of Rear Stabilizer : Step2

-  38303
3x3mm x2
Set screw
-  38405
4x5mm x2
Set screw

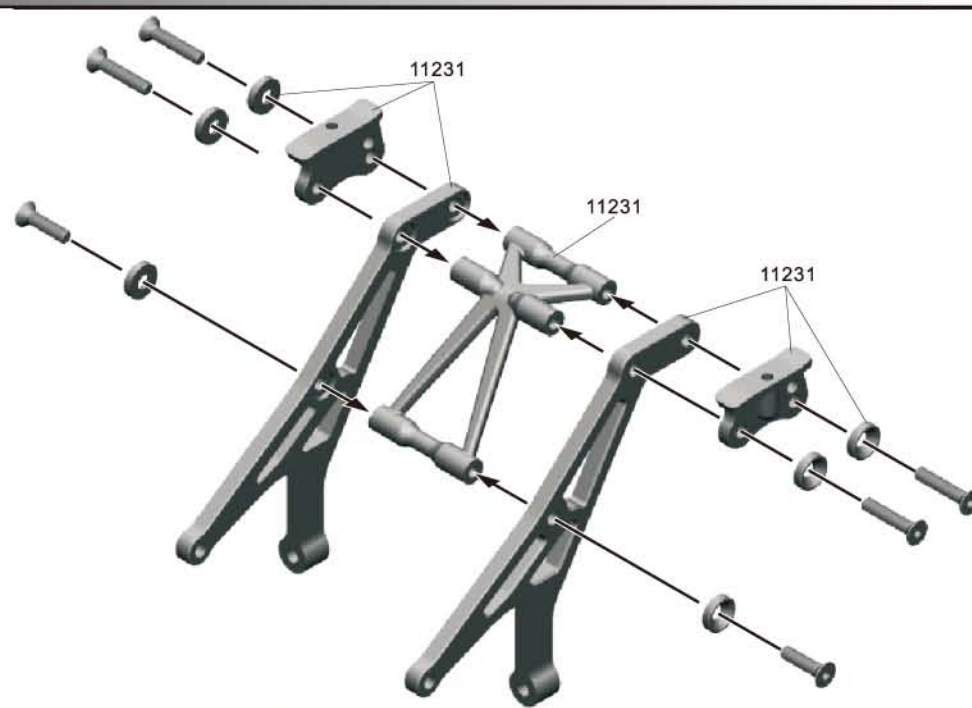
28



Assembly of Wing Stay


-  31315
3x15mm x4
F/H screw
-  31312
3x12mm x2
F/H screw
-  11231
Washer x6

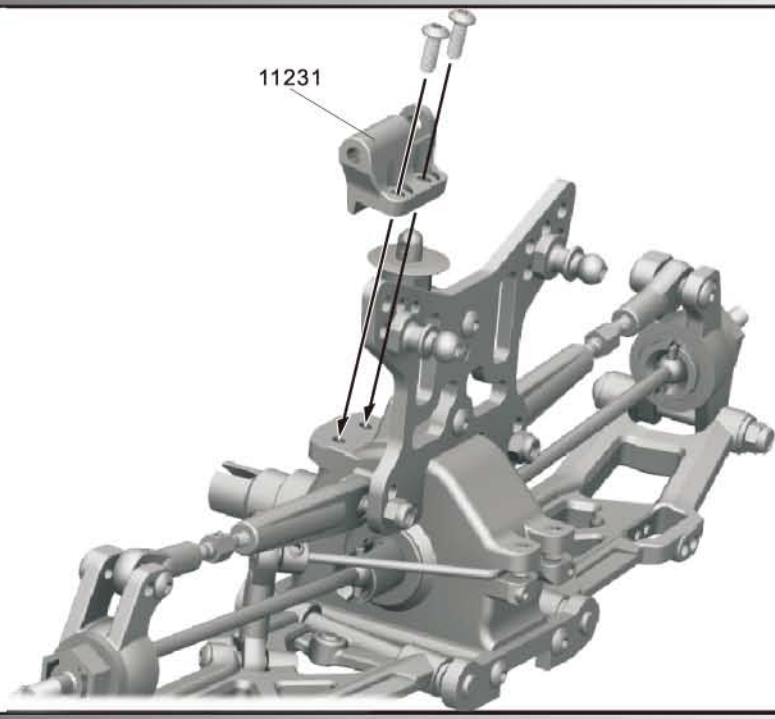
29



Assembly of Rear Brace Holder

30

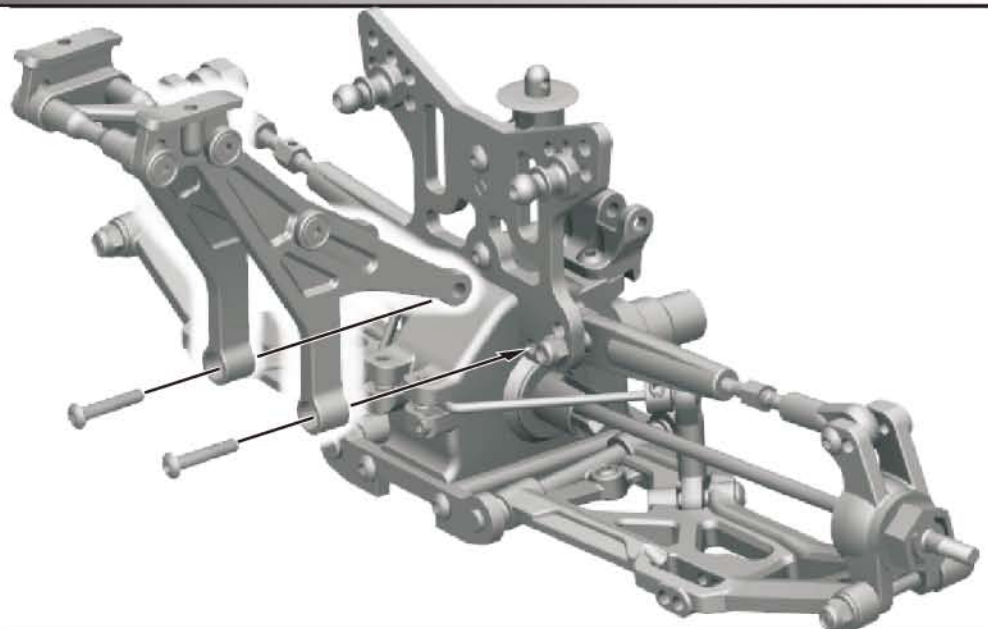
 33308
3x8mm x2
Screw



Assembly of Wing Stay


31

 33315
3x15mm x2
Screw




Assembly of Rear Brace

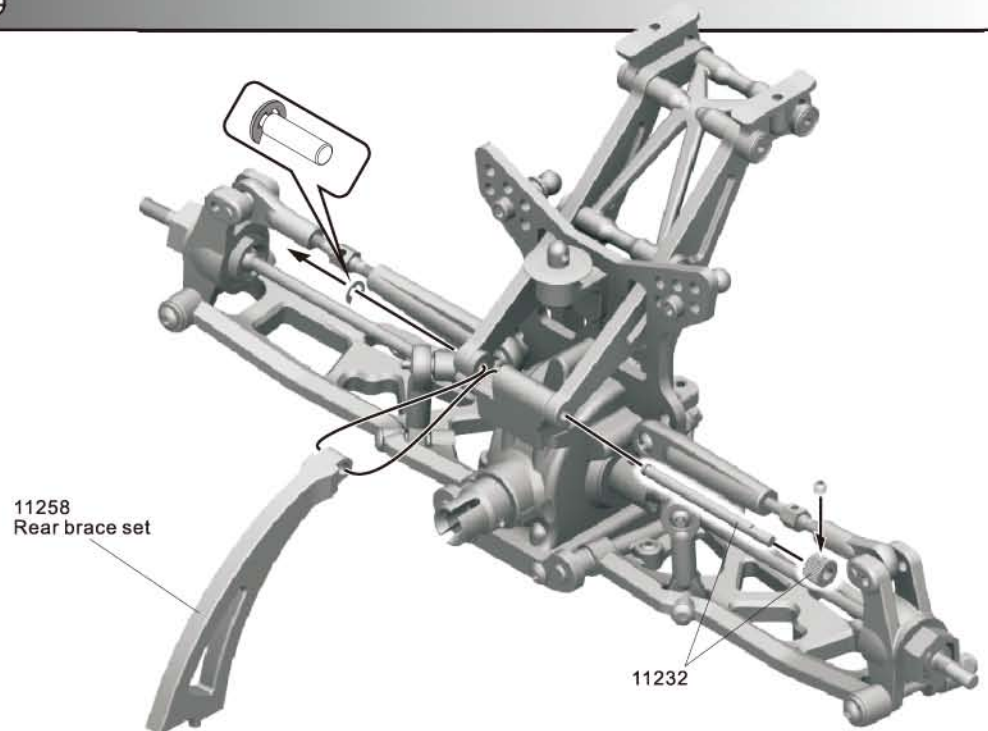
32

 38303
3x3mm x1
Set screw

 11232
Stopper x1

 39019
G-clip x1

 11232
Shaft x1



Assembly of Rear Bumper onto Chassis

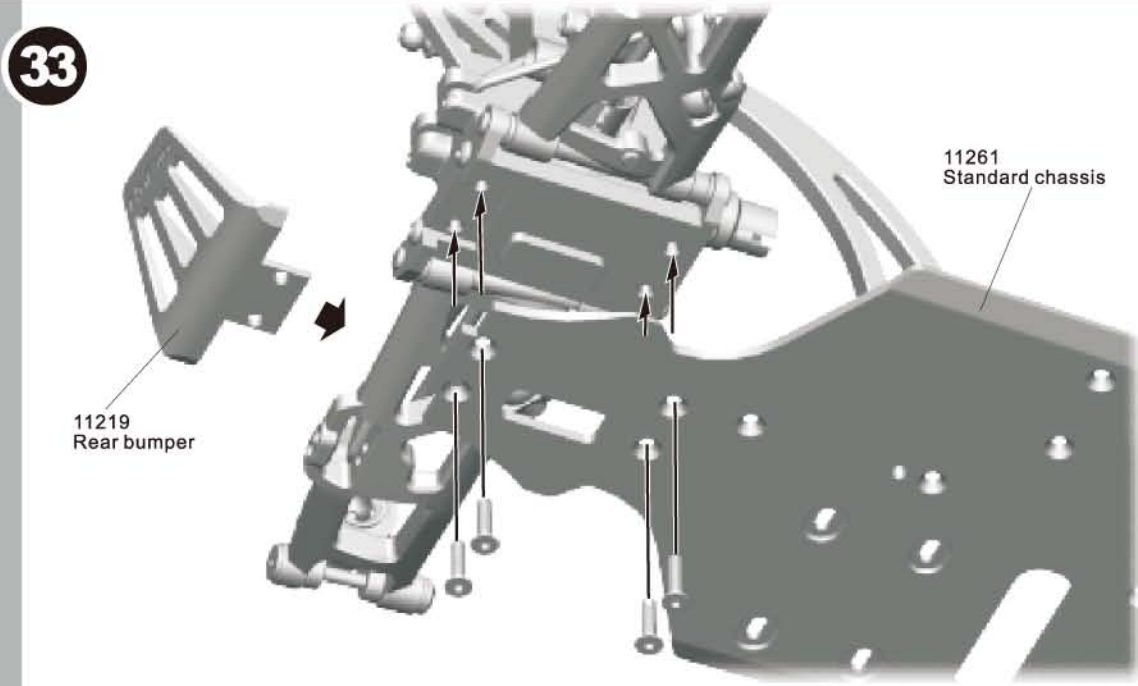
33

31312
3x12mm x4
F/H screw



11219
Rear bumper

11261
Standard chassis



Assembly of Center Gear Box : Step1

35312
3x12 mm x4
Hex head screw

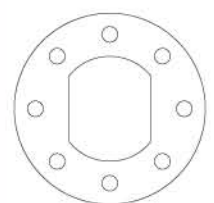


x4

x4

11277
Brake pad

11240
Brake disc x2



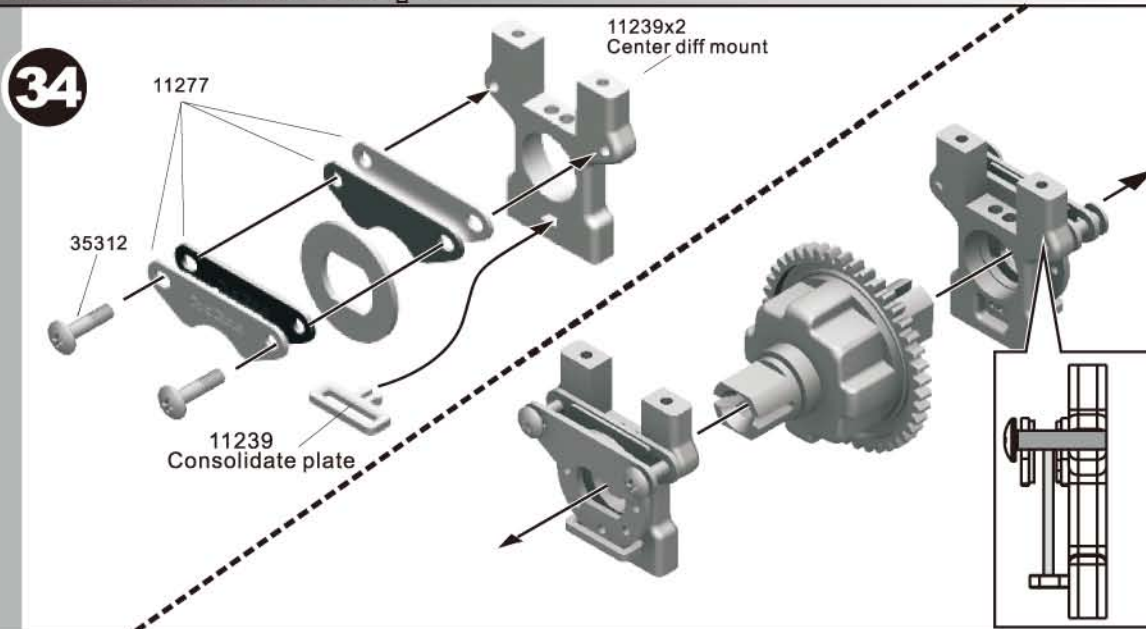
34

11277

11239x2
Center diff mount

35312

11239
Consolidate plate



Assembly of Center Gear Box : Step2

11241
Brake rod x2

11241
Brake cam x1

11241
Brake cam x1

33308
3x8mm x4
Screw

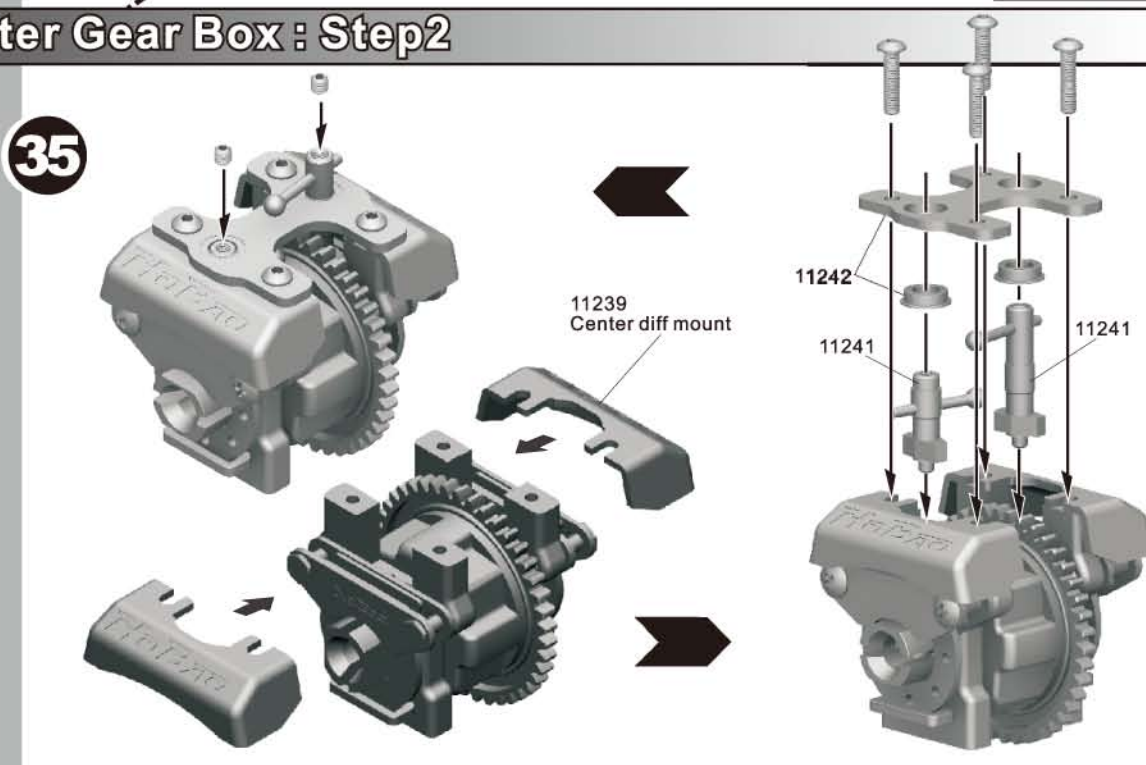
11242

38303
3x3mm x2
Set screw



35

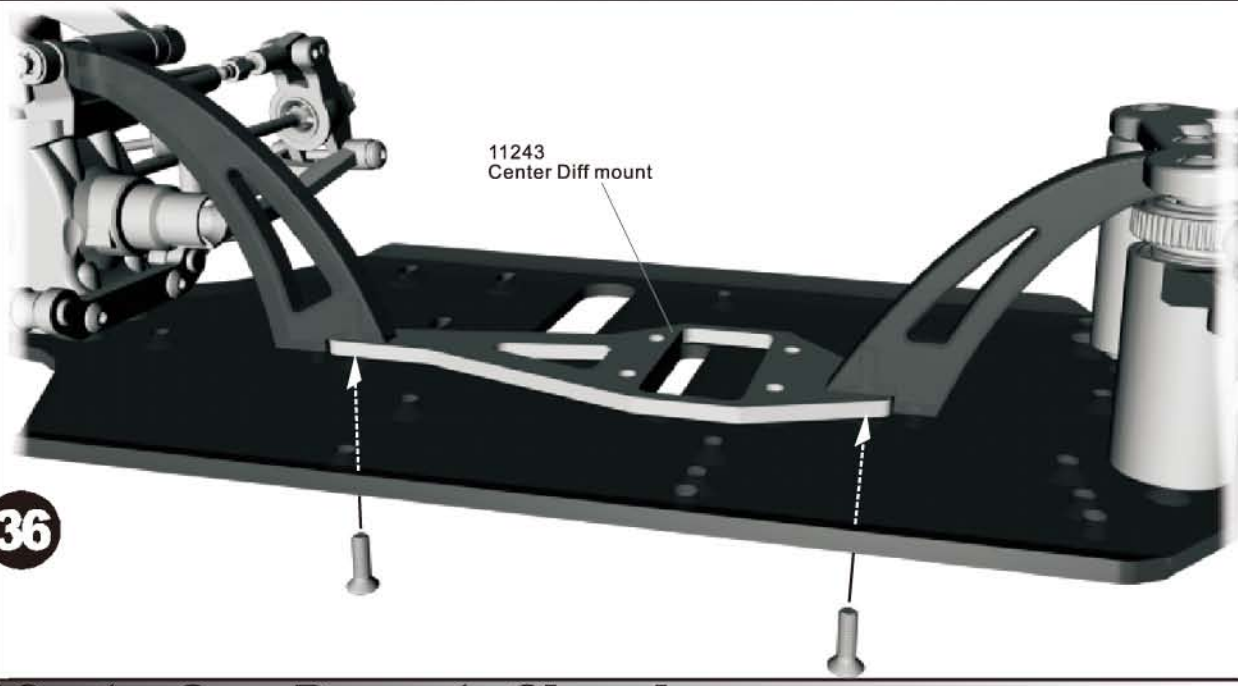
11239
Center diff mount



Assembly of Center Diff Mount onto Chassis

31310
3x10mm x2
F/H screw

36



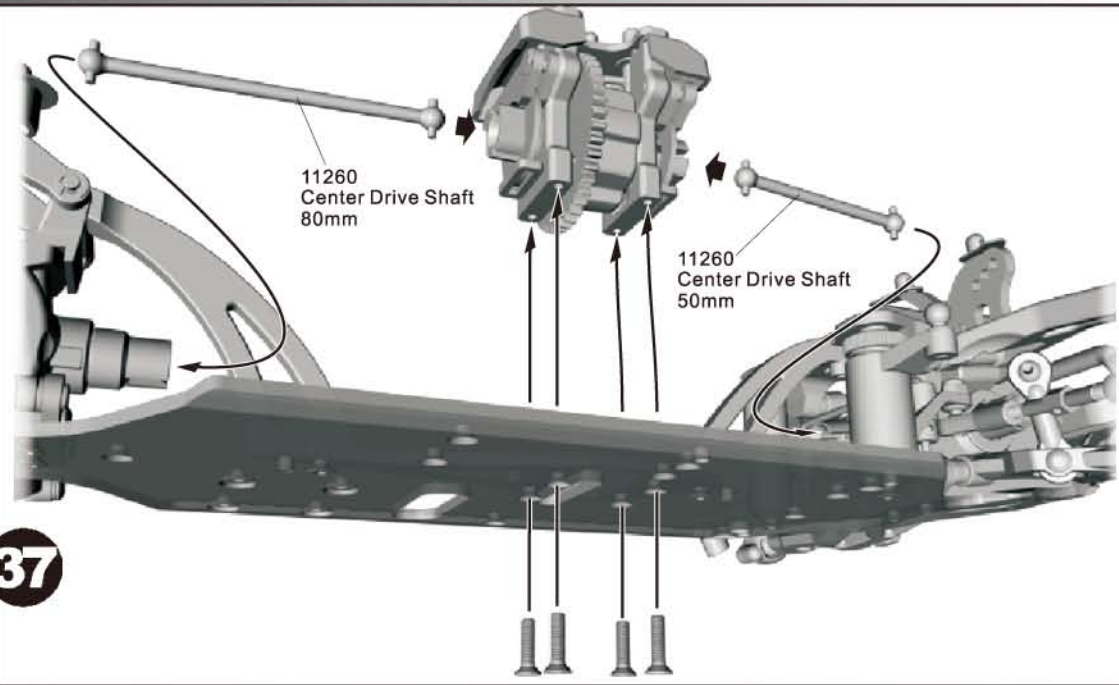
Assembly of Center Gear Box onto Chassis

11260
80mm x1
Center Drive shaft

31310
3x10mm x4
F/H screw

11260
50mm x1
Center Drive shaft

37



Assembly of Engine mount

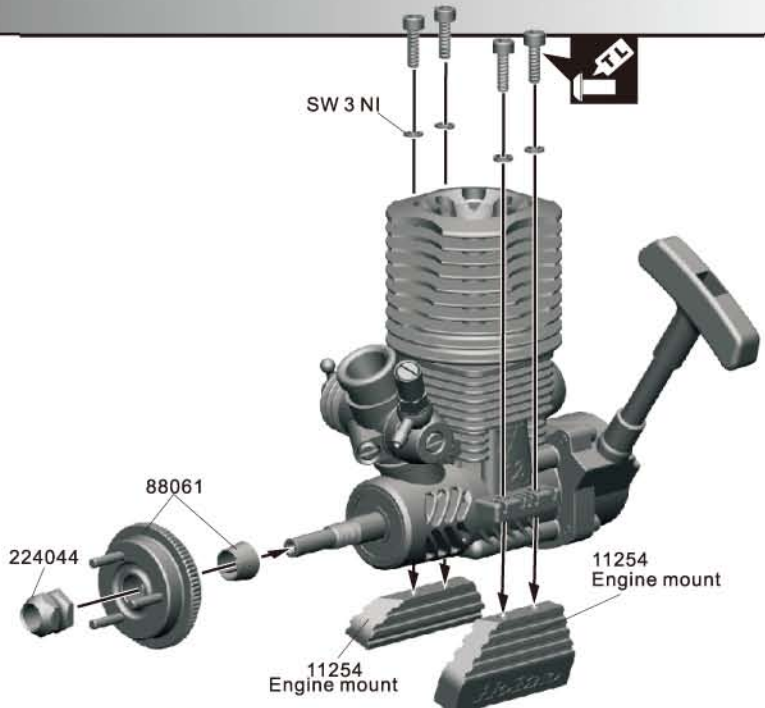
32310
3x10mm
Cap screw

SW 3 NI
Spring Washer x4

224044
Clutch nut



88061
Flywheel

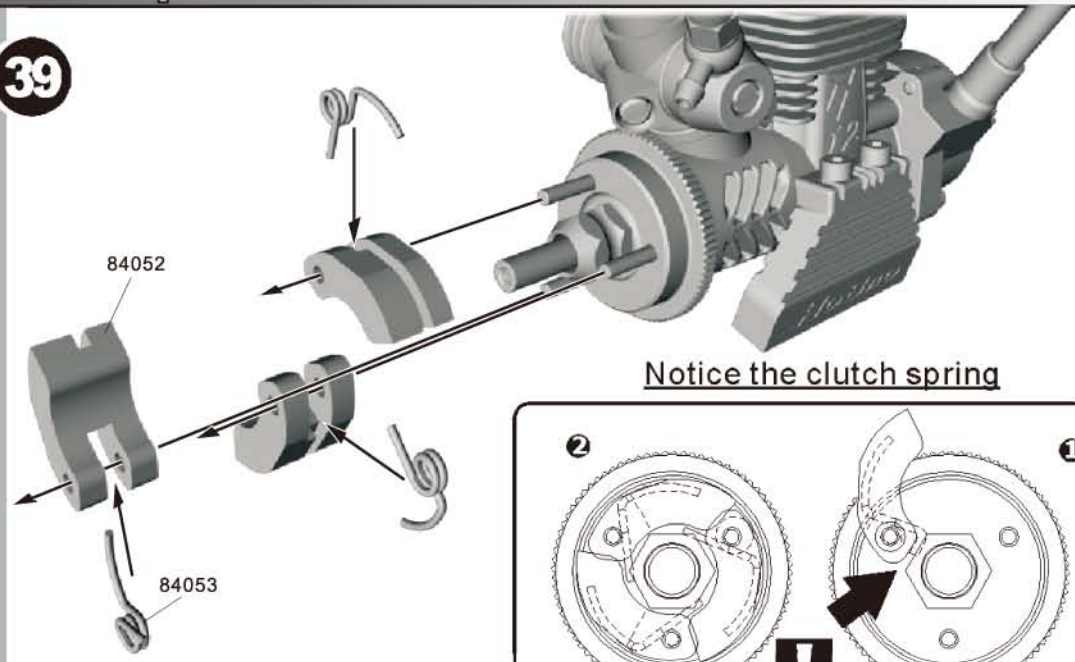
38



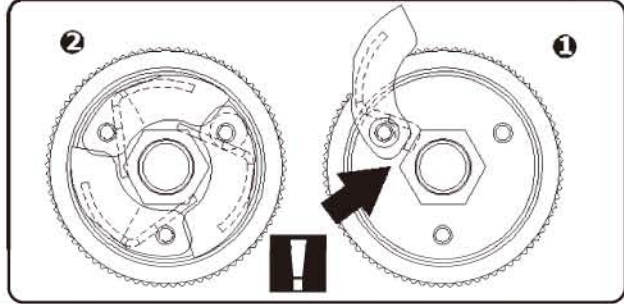
Assembly of Clutch : Step1

39

-  84052
Clutch shoe x3
-  84053
Clutch spring x3

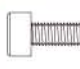



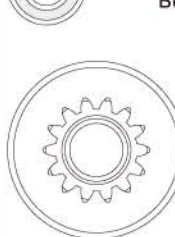


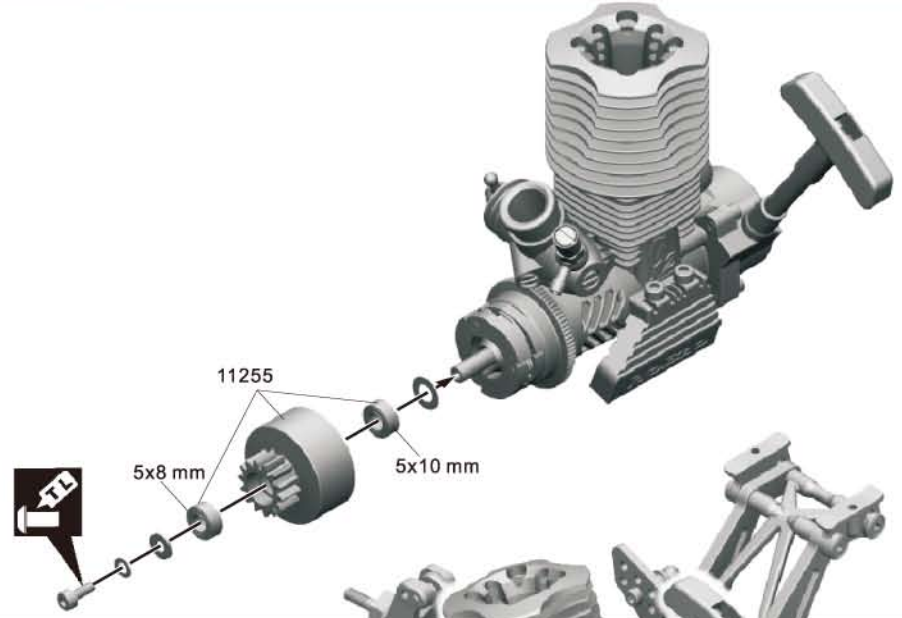
Notice the clutch spring



Assembly of Clutch : Step2

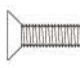


40

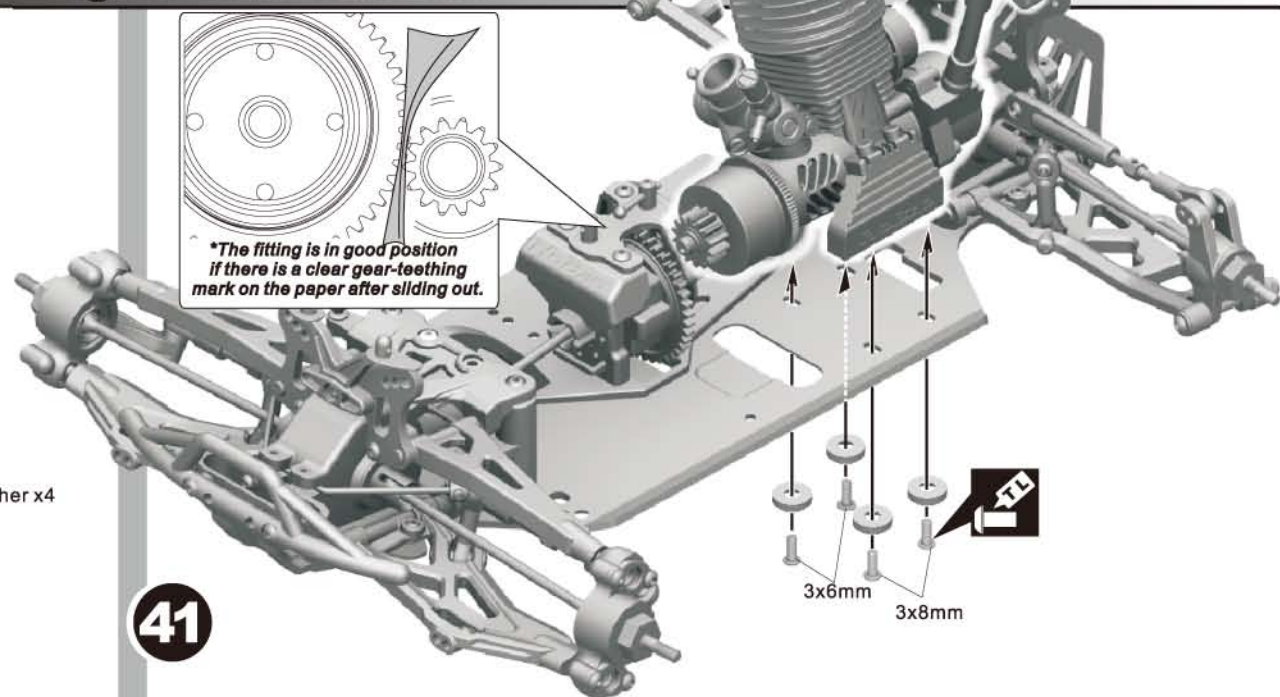
-  32308
3x8mm x1
Cap screw
-  84187-w
3.1x6mm x1
Washer
-  84187-w
5x8mm x5
Washer
-  84077
5x10mm x2
Bearing
-  11255
Clutch bell-14T x1



Assembly of Engine onto Chassis

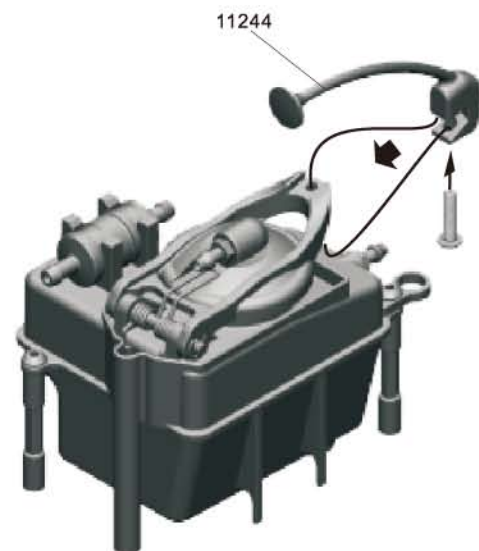
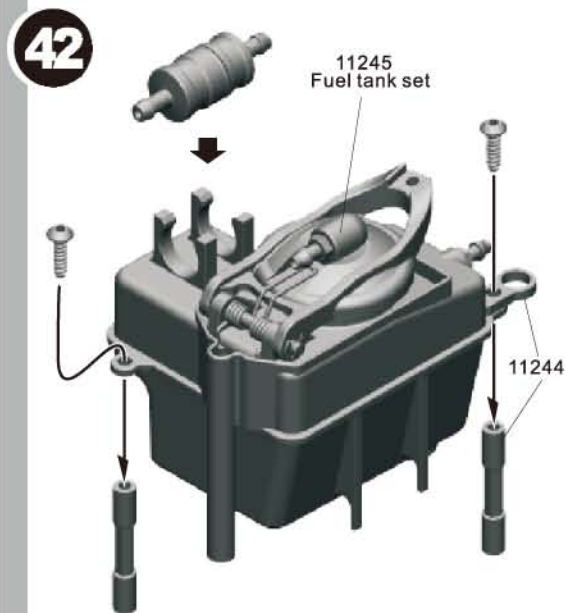
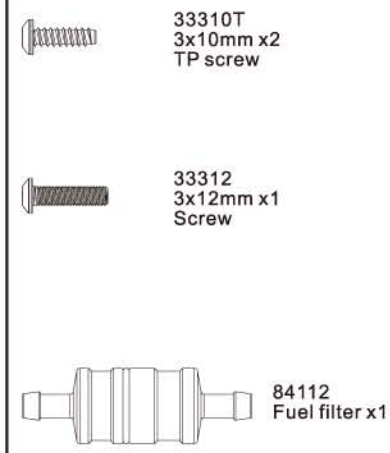
41

-  31308
3x8mm x2
F/H screw
-  31306
3x6mm x2
F/H screw
-  11254
M3 Alu.washer x4

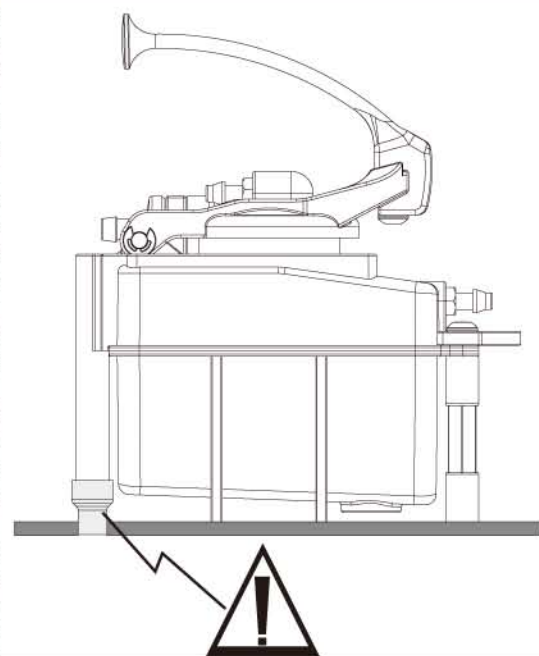


**The fitting is in good position if there is a clear gear-teething mark on the paper after sliding out.*

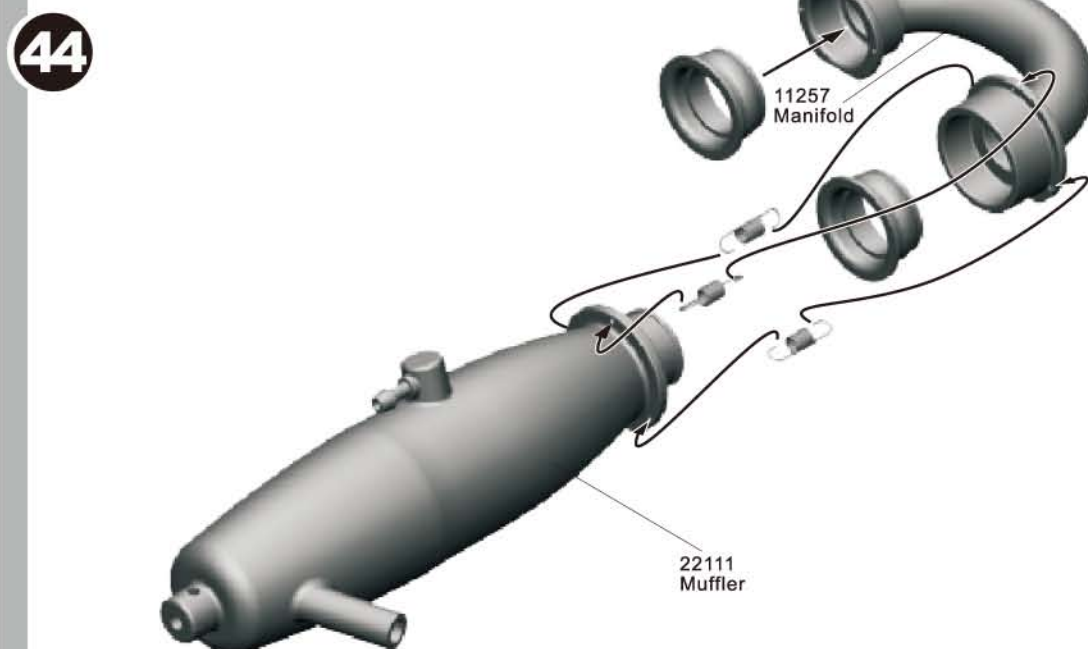
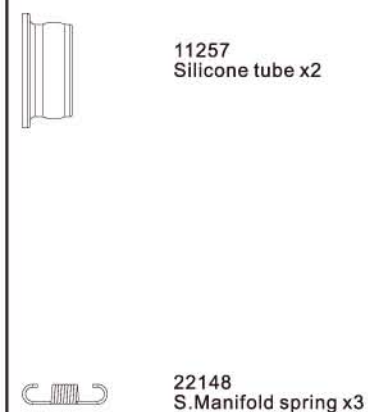
Assembly of Fuel Tank



Assembly of Fuel Tank onto Chassis



Assembly of Manifold



Assembly of Manifold and Muffler

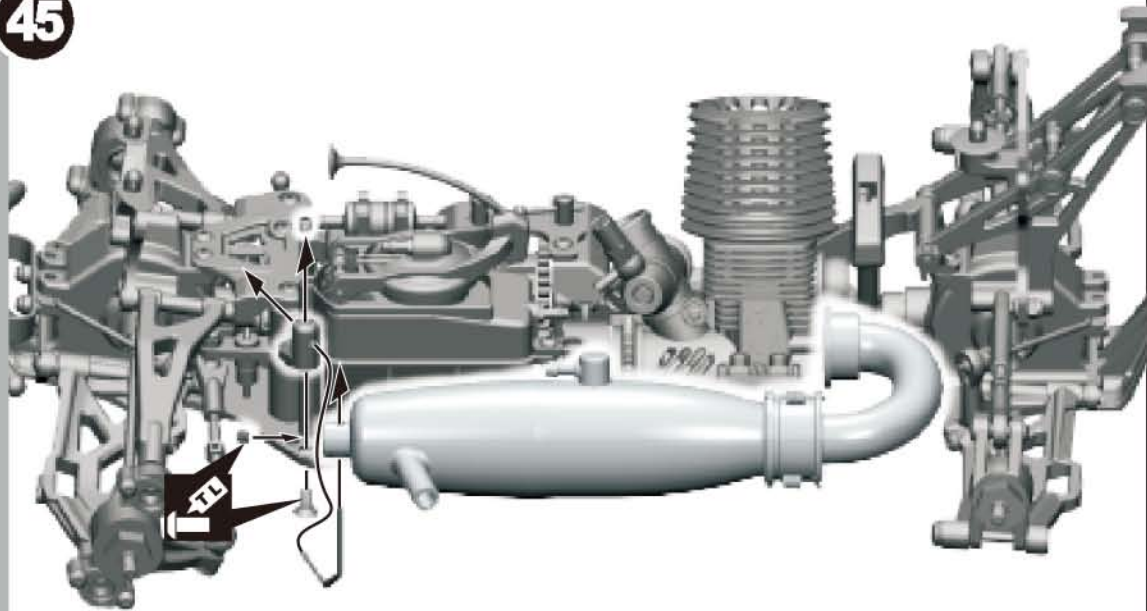
45



38404
4x4mm x3
Set screw



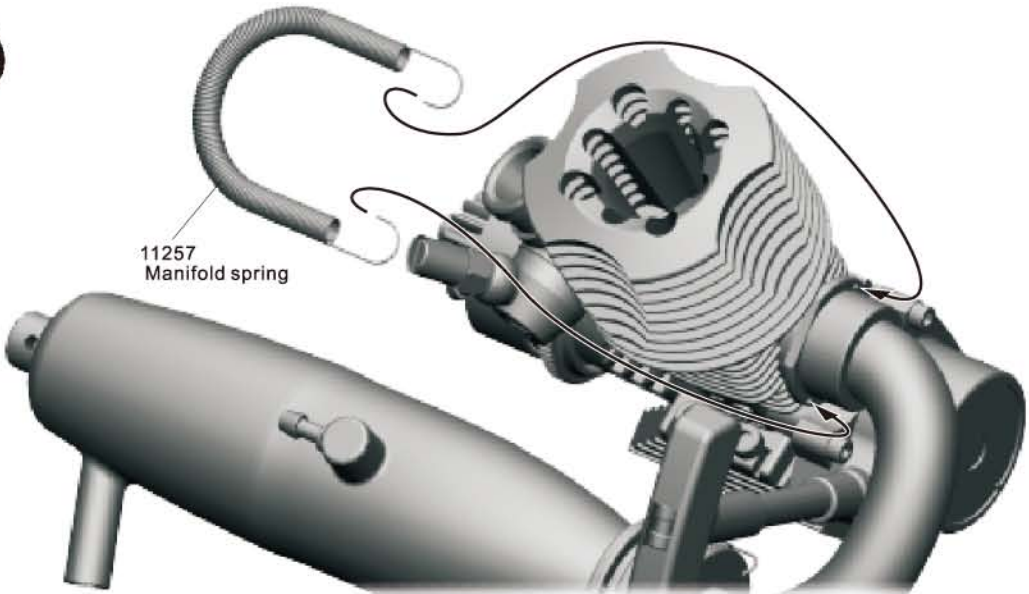
31408
4x8mm x1
Set screw



Assembly of Manifold spring

46

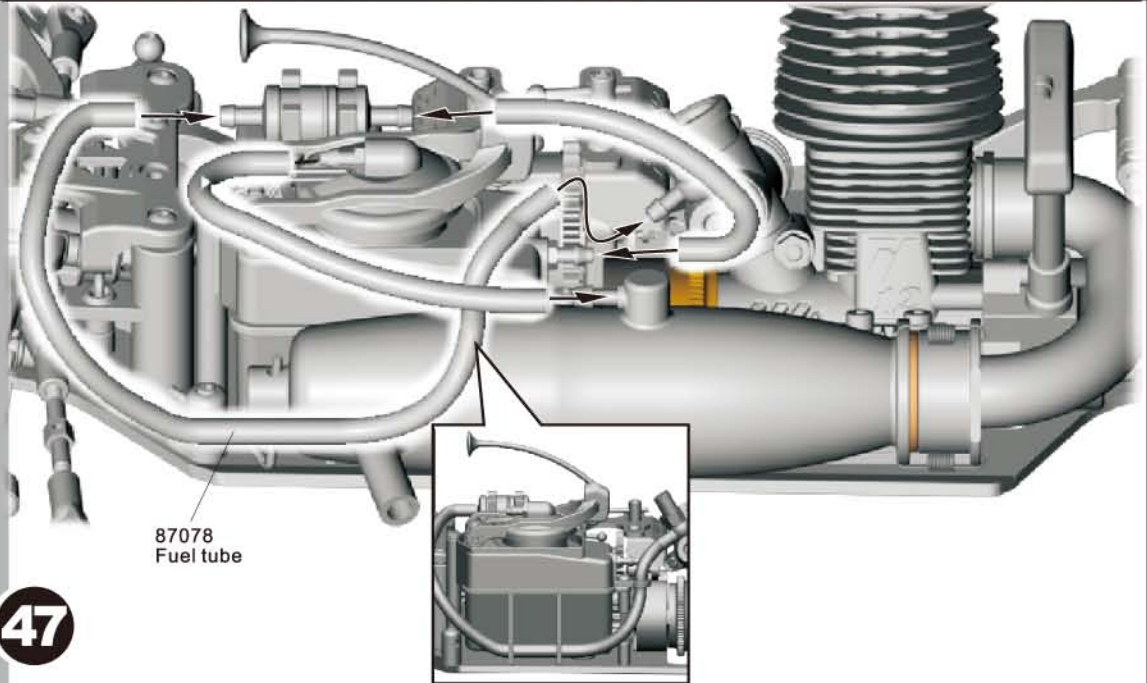
11257
Manifold spring











Assembly of Fuel Tube

47

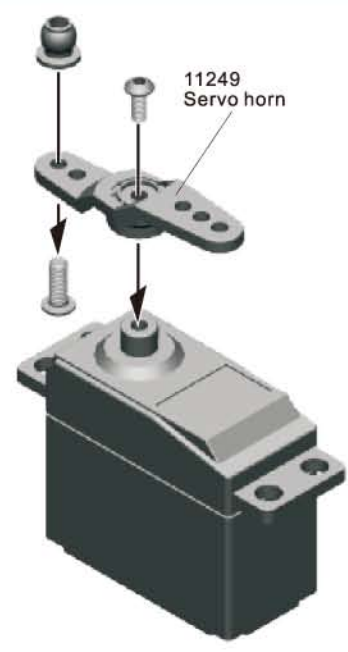
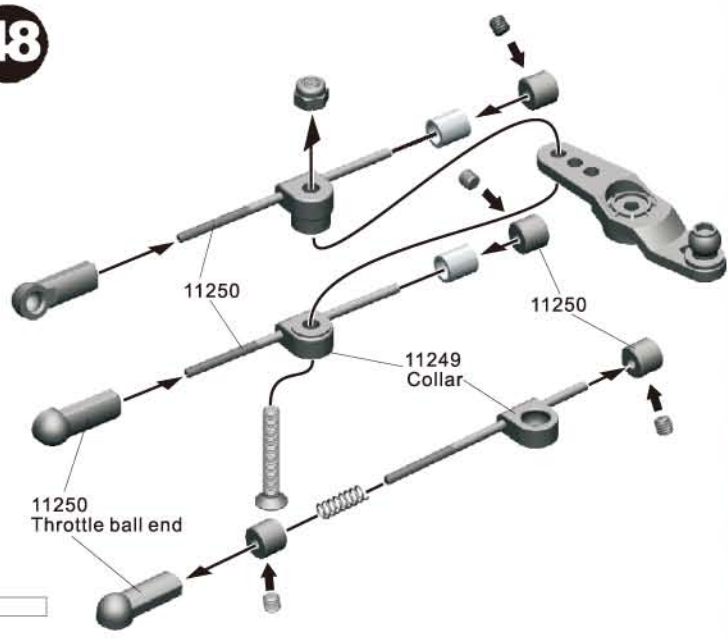
87078
Fuel tube





Assembly of Throttle Linkage into Lever

-  38303
3X3mm x4
Set screw
-  11250
Stopper x4
-  39008
M3 Nut x1
-  11250
Throttle spring x1
-  22012
Ball end x4
-  33308
3x8mm x2
Screw
-  31320
3x20mm x1
Screw
-  11250
Throttle rod x3

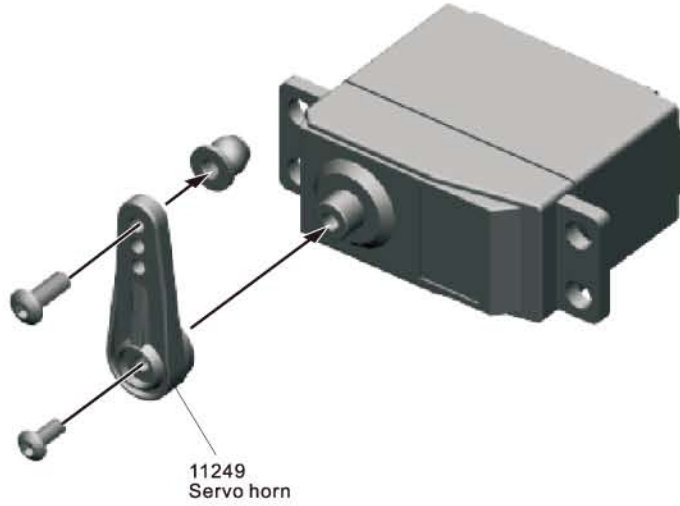
48



Equipment

-  22012
Ball end x4
-  33308
3x8mm x2
Screw

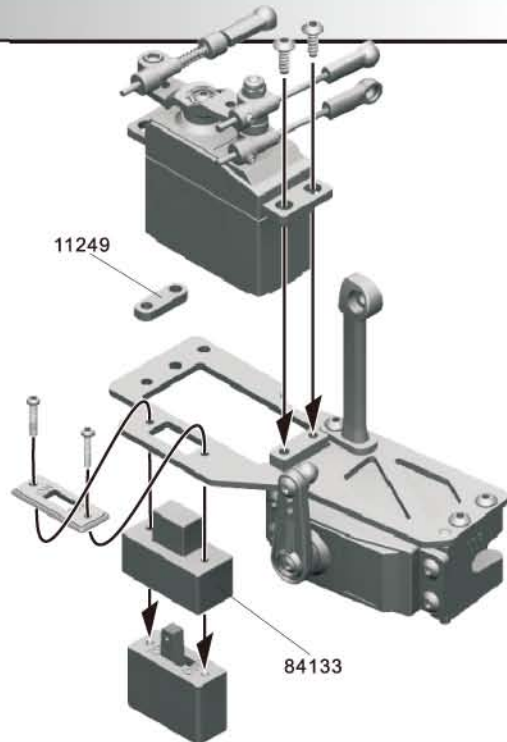
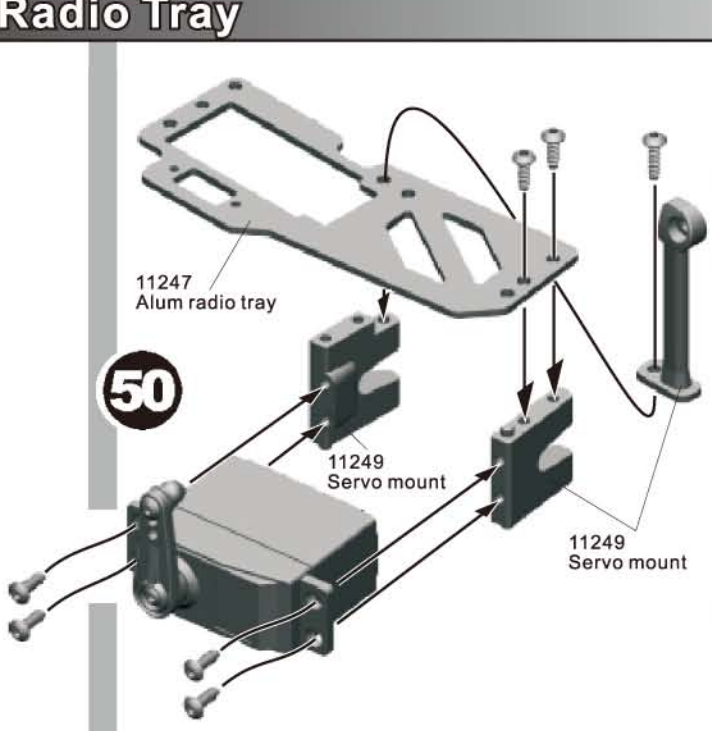
49



Assembly of Radio Tray

-  33308T
3x8mm x8
TP screw
-  33210
2x10mm x2
Screw
-  33310T
3x10mm x1
TP screw

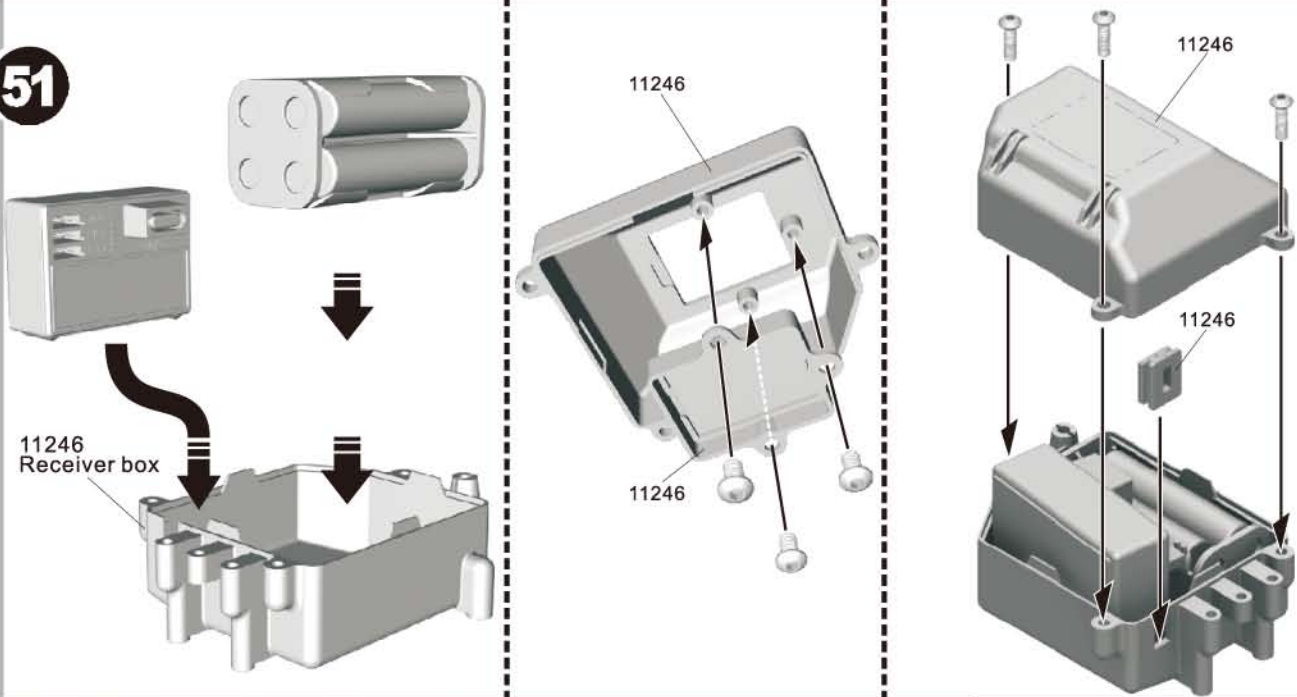
50



Assembly of Receiver box

51

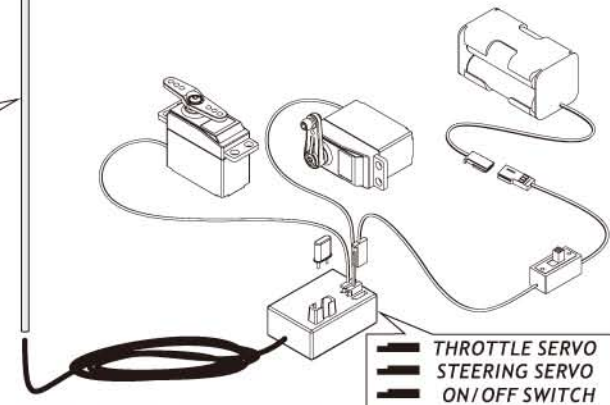
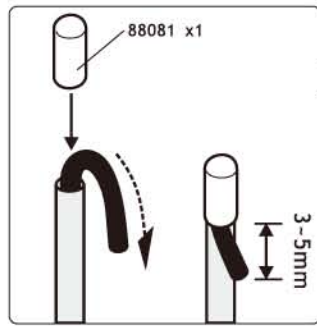
-  33305
3x5mm x3
F/H screw
-  33310T
3x10mm x3
TP screw




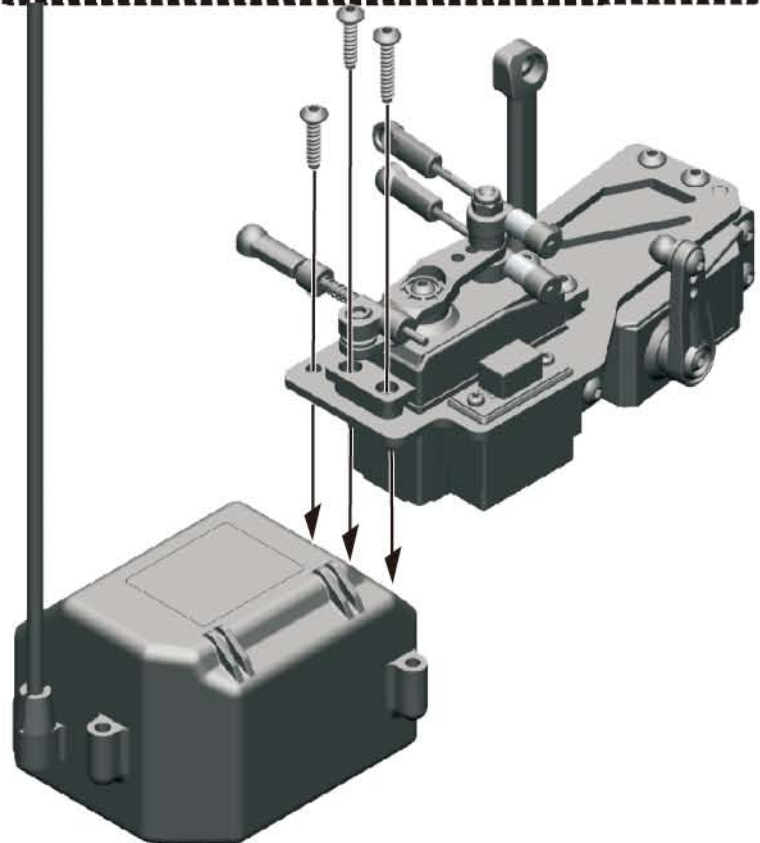
Assembly of Receiver box

52

88081




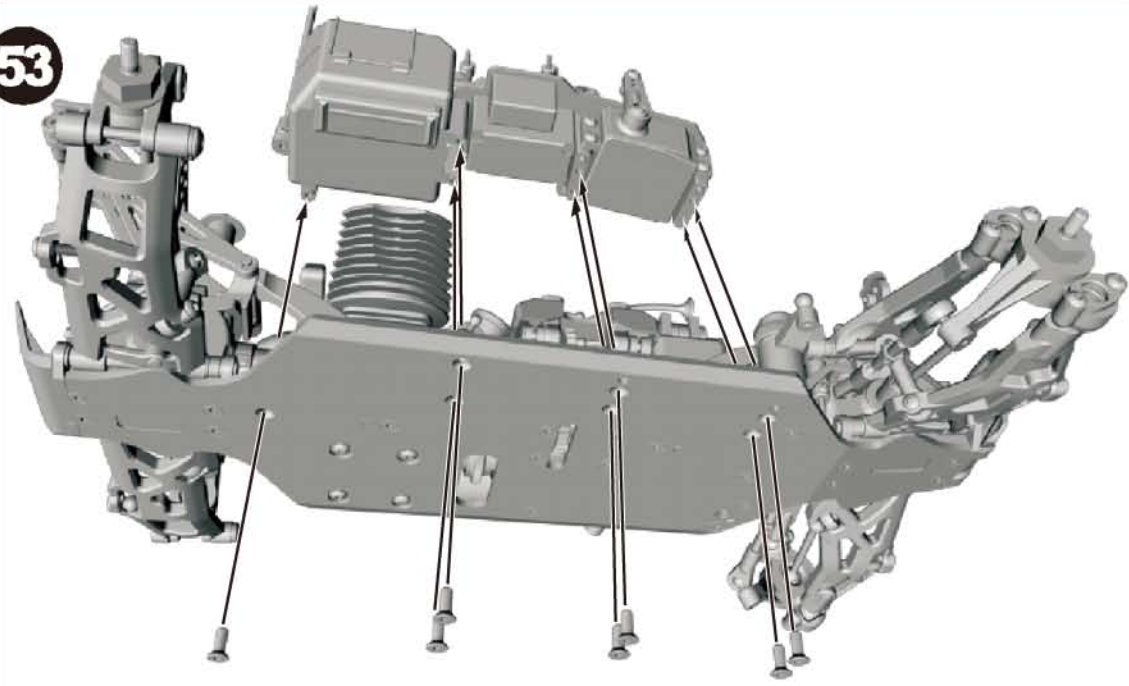
-  THROTTLE SERVO
-  STEERING SERVO
-  ON/OFF SWITCH



Assembly of Radio Tray and Receiver box onto Chassis


53

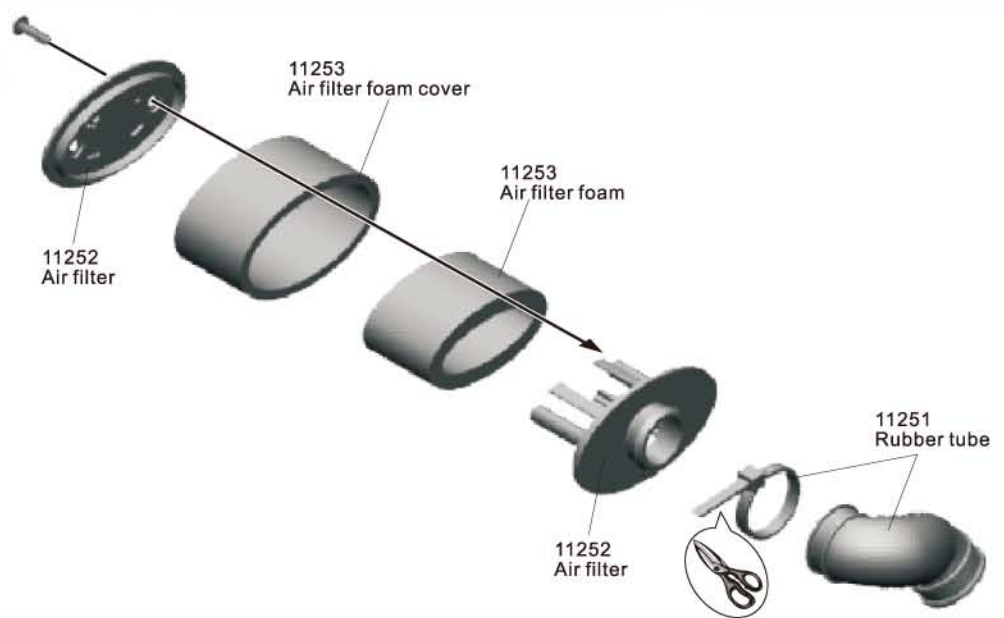
 31308
3x8mm x7
F/H screw



Assembly of Air Filter


54

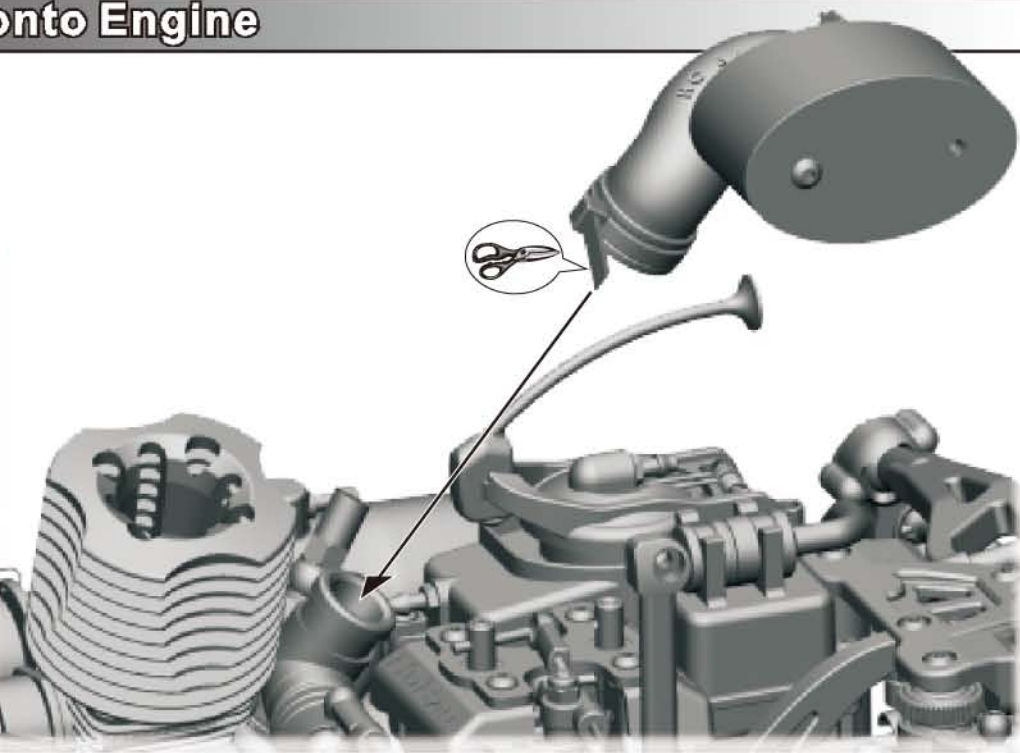
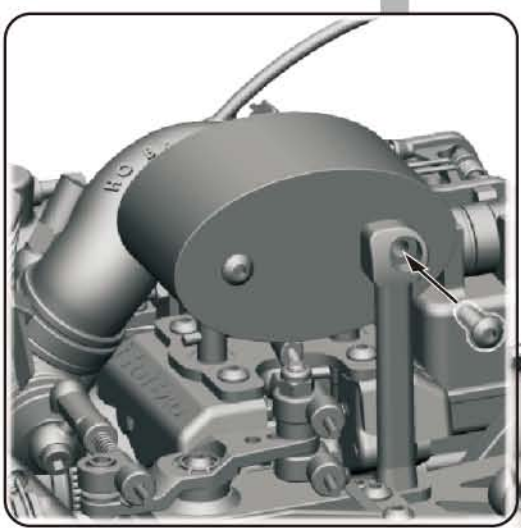
 33310T
3x10mm x1
TP screw



Assembly of Air Filter onto Engine

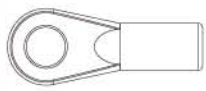

55

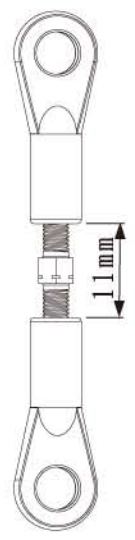
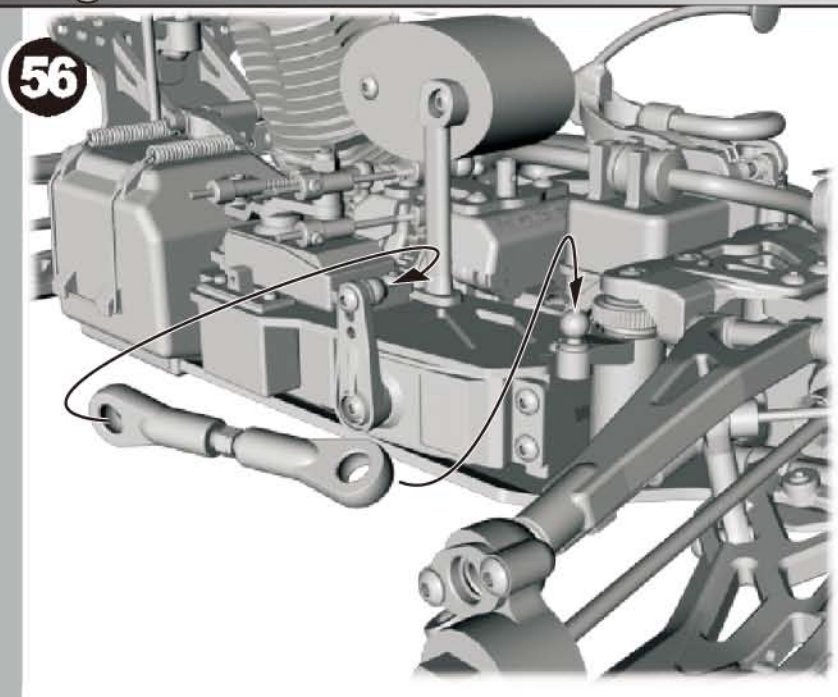
 33310T
3x10mm x1
TP screw



Assembly of Steering Servo Rod

56

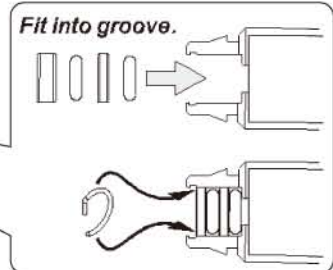
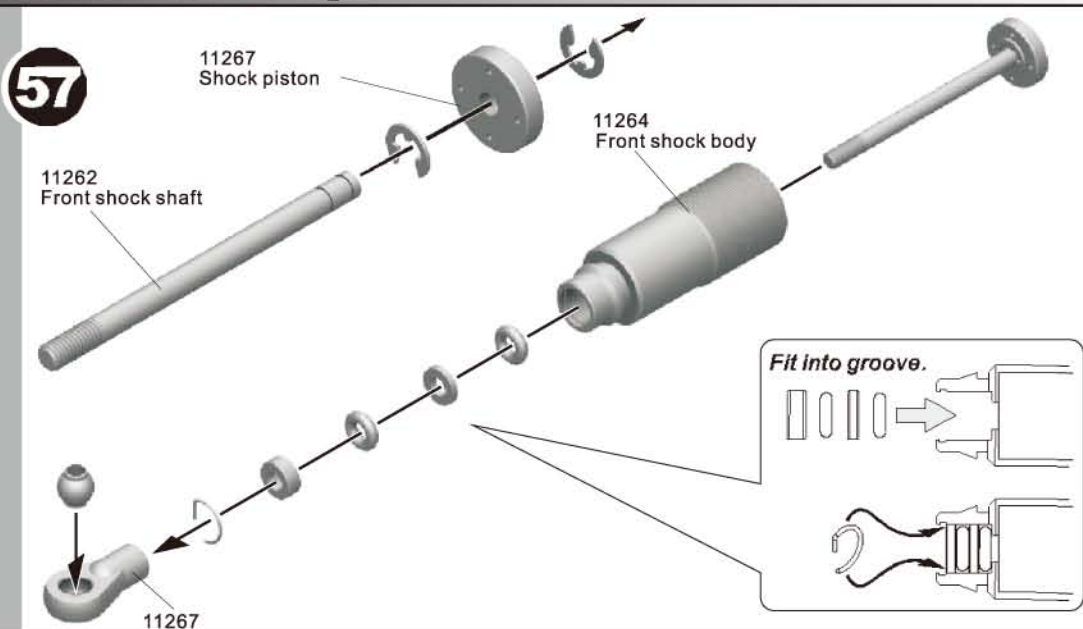
-  11236 Ball end x2
-  11248 4x20mm x1 Servo Rod



Assembly of Front Shocks : Step1

-  11267 2.6x6.5x0.6mm x4 washer
-  11267 Shock collar x4
-  22028 O-ring x8
-  22028 G-clip x4
-  39019 C-clip x6

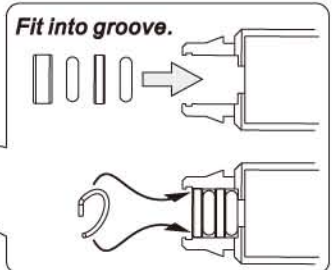
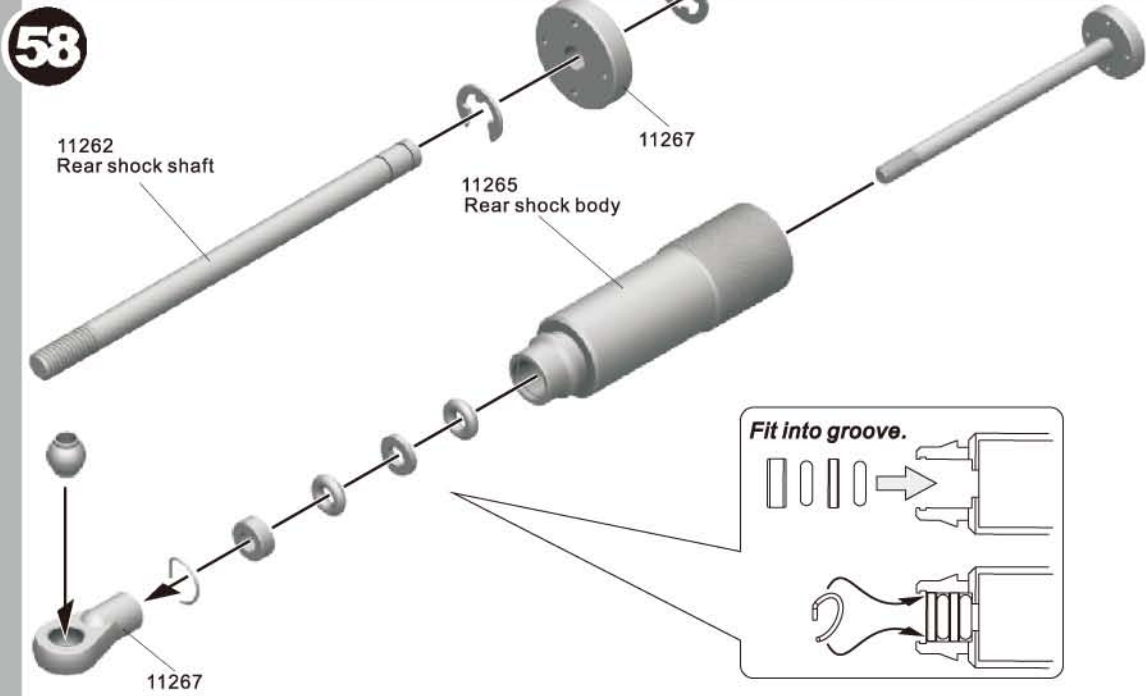
57



Assembly of Rear Shocks : Step2

-  11267 2.6x6.5x0.6mm x4 washer
-  11267 Shock collar x4
-  22028 O-ring x8
-  22028 G-clip x4
-  39019 C-clip x8

58



Assembly of the Front Shock Absorber



87031
Steel shock ball x2

62

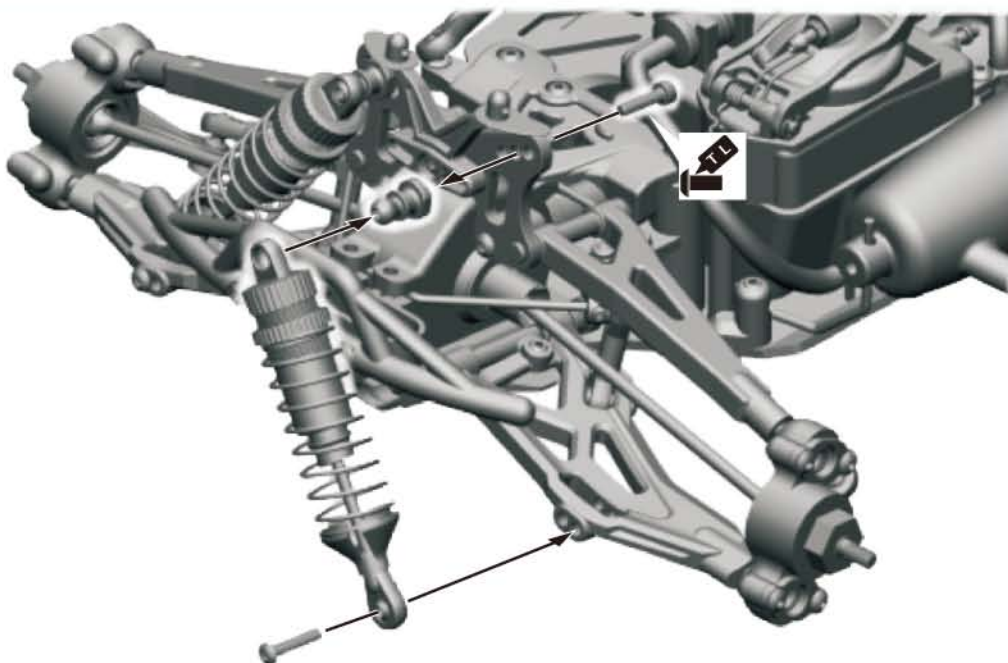
LR



33315
3x15mm x2
Screw



32312
3x12mm x2
Cap screw



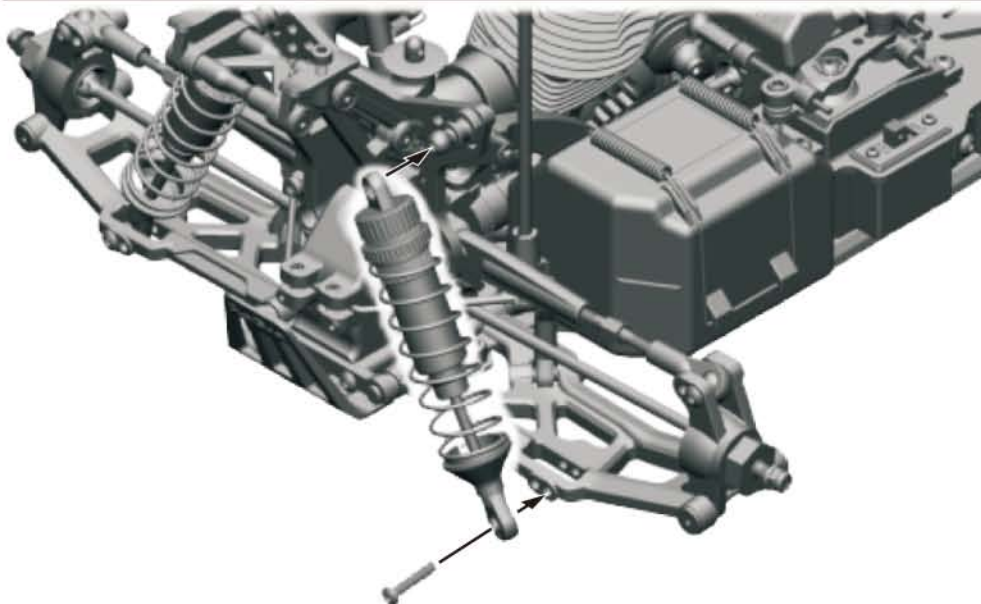
Assembly of the Rear Shock Absorber

63

LR



33315
3x15mm x2
Screw



Assembly of Wheels and Tires

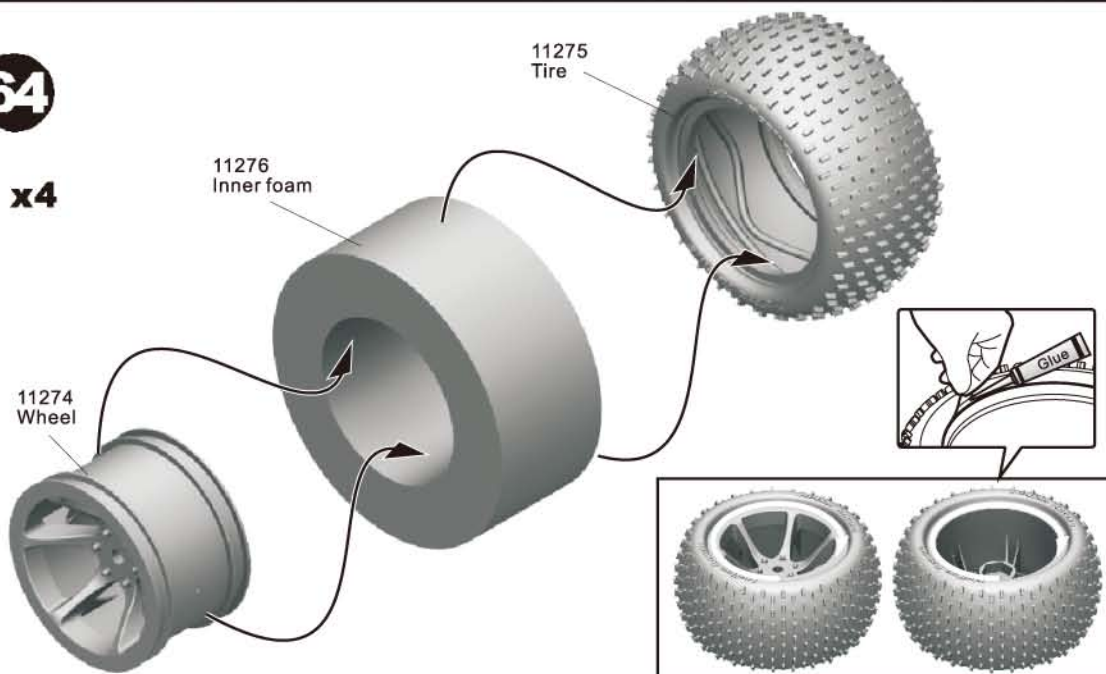
64

x4

11274
Wheel

11276
Inner foam

11275
Tire

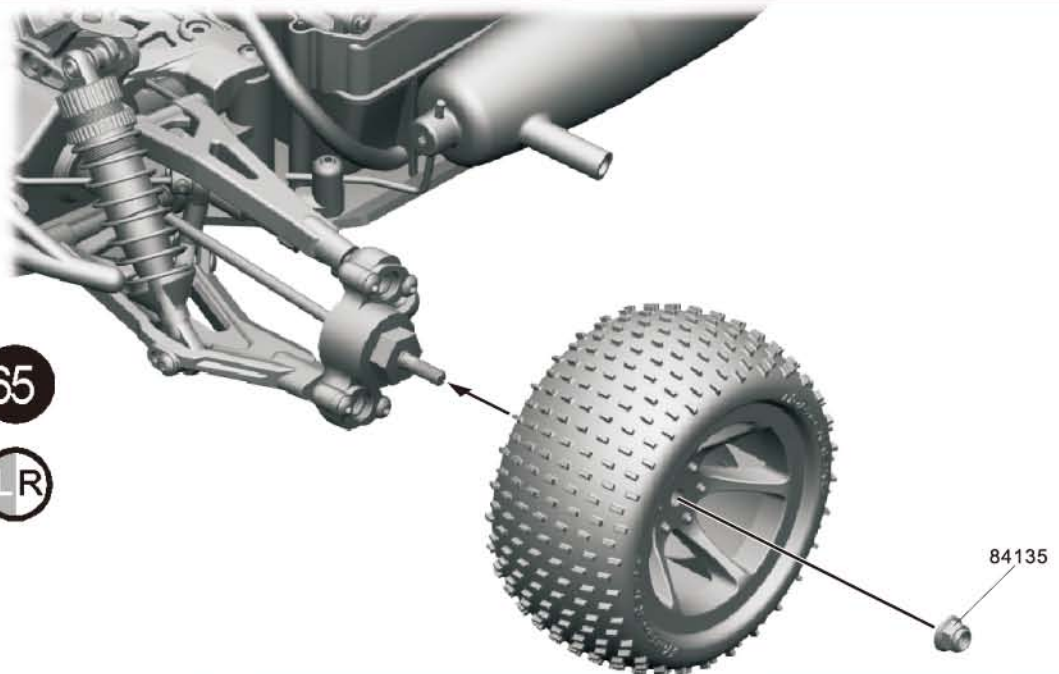


Assembly of the Tires onto Front Knuckles



84135
Nylon nut 4mm

65
LR

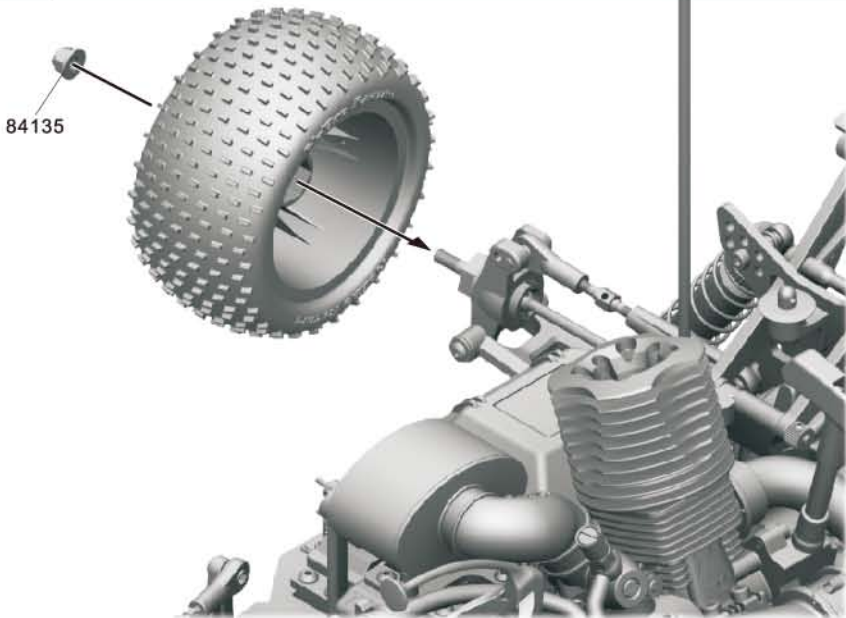


Assembly of the Tires onto Rear Hubs




84135
Nylon nut 4mm

66
LR



Assembly of the Wing

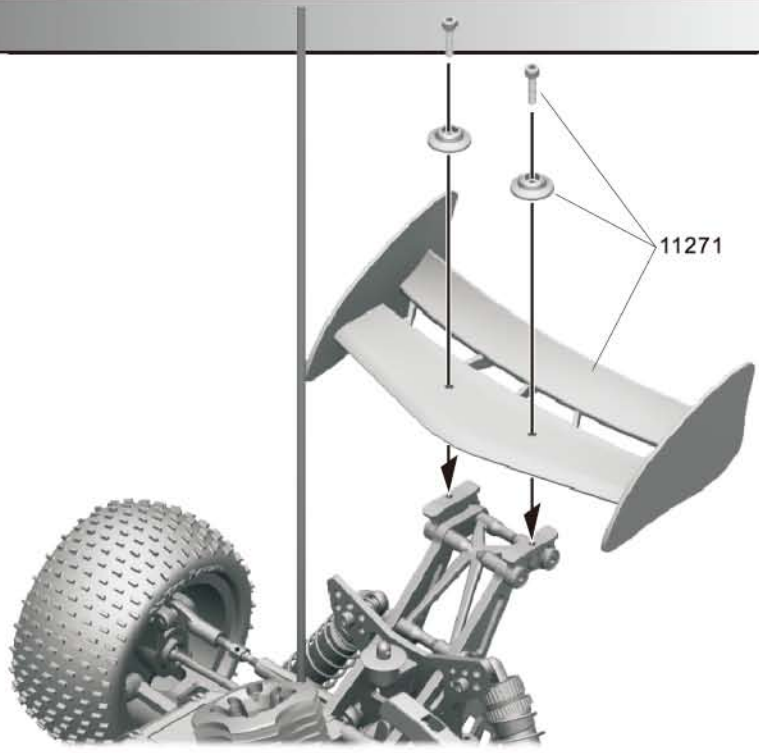


32315
3x15mm x2
Cap screw

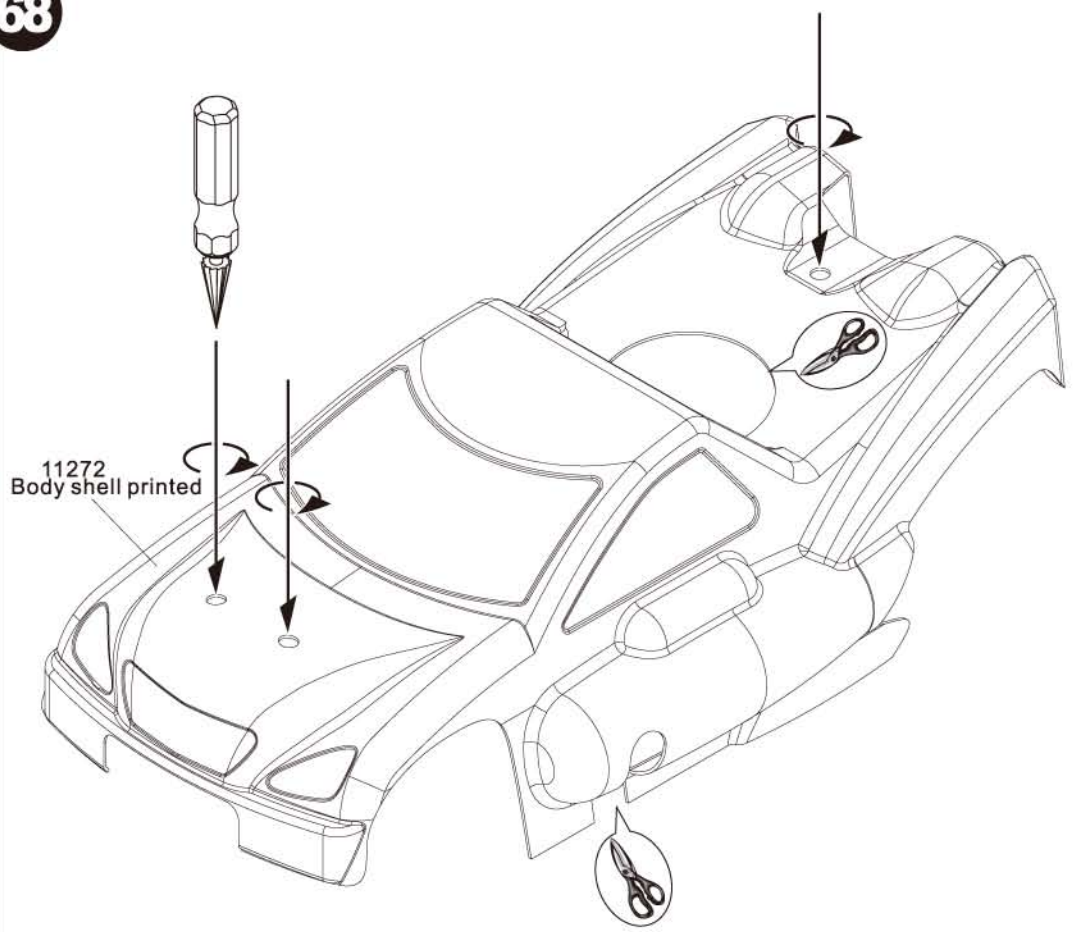


11271
Wing washer x2

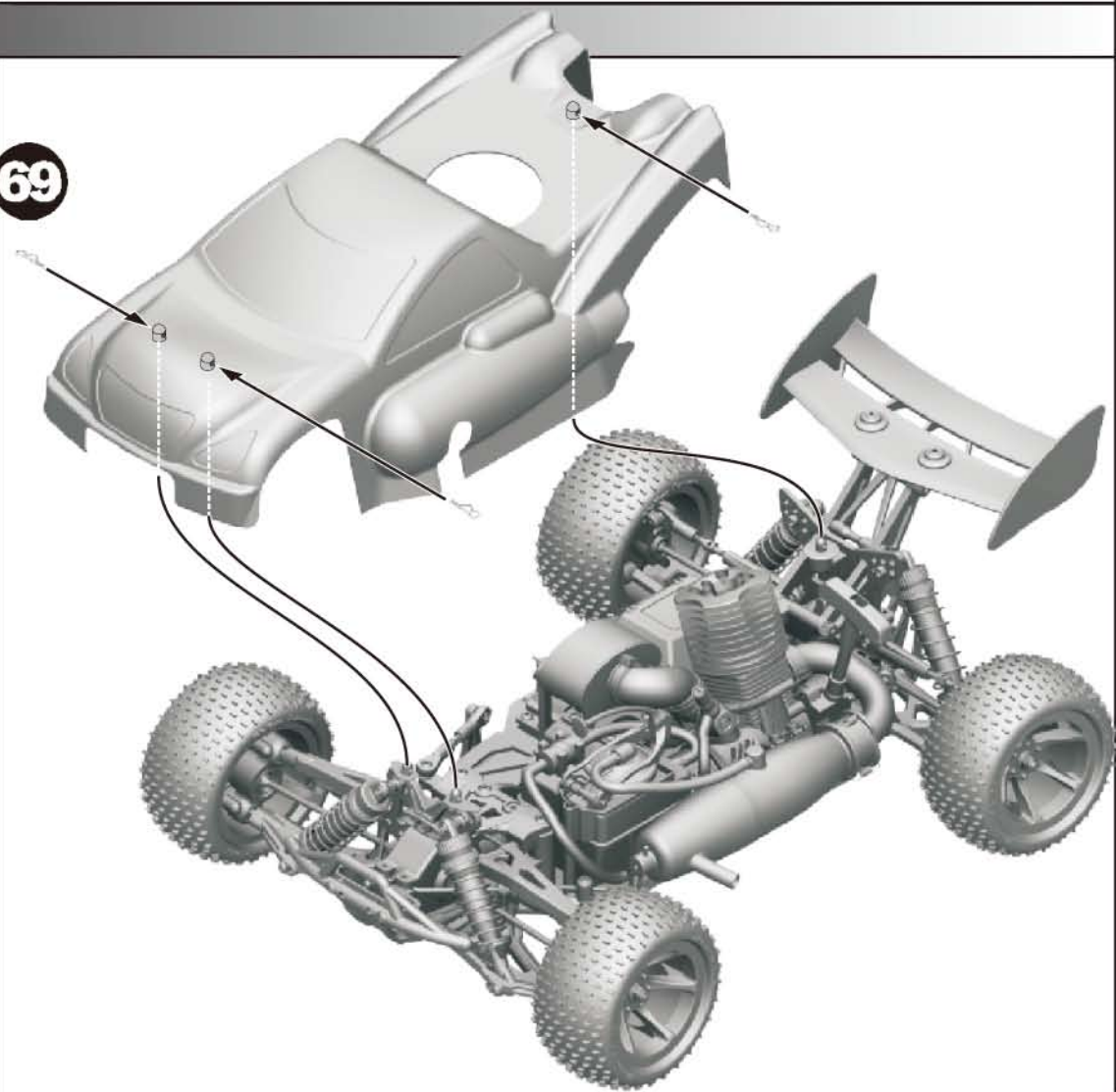
67



68



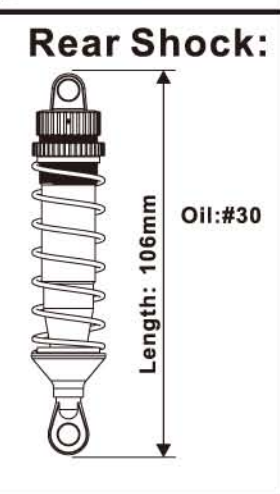
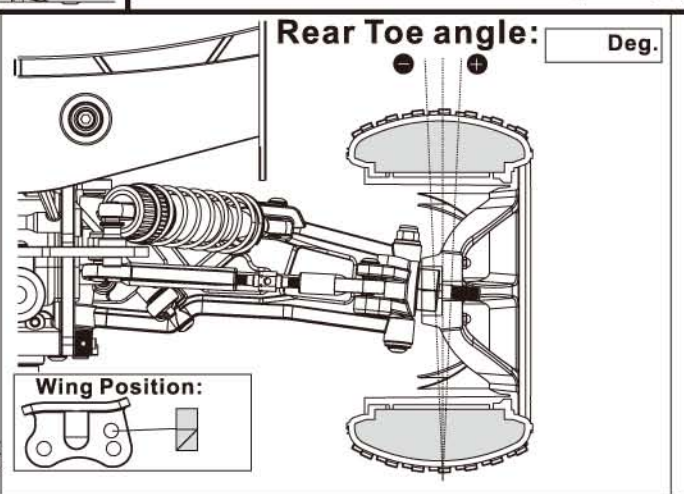
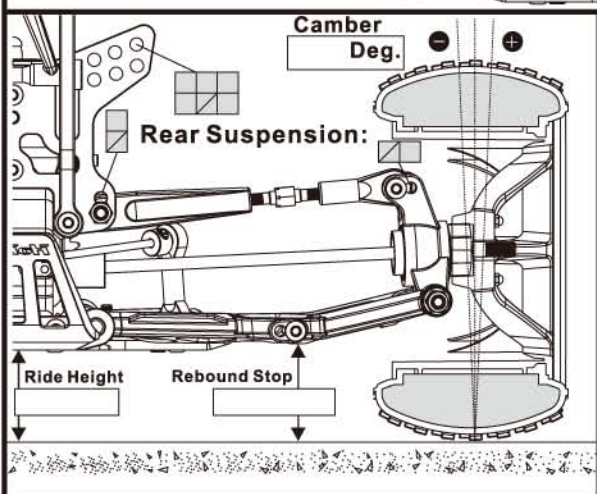
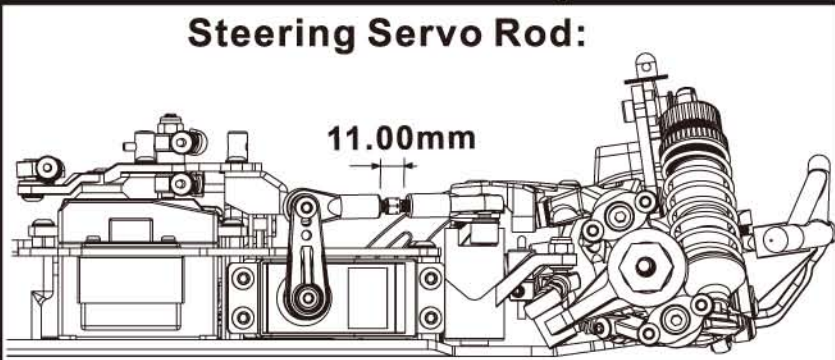
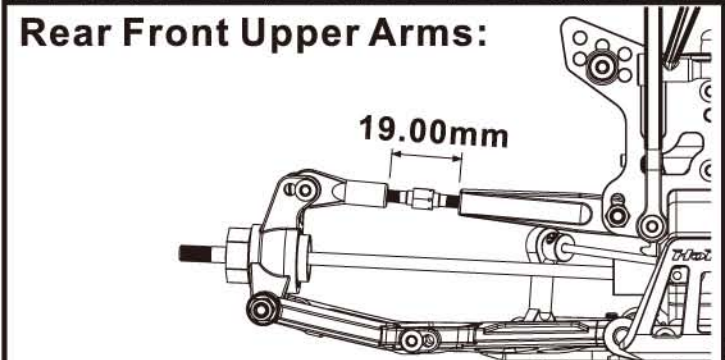
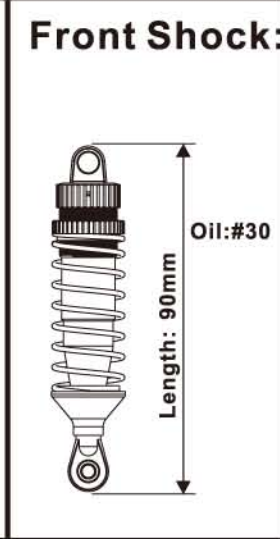
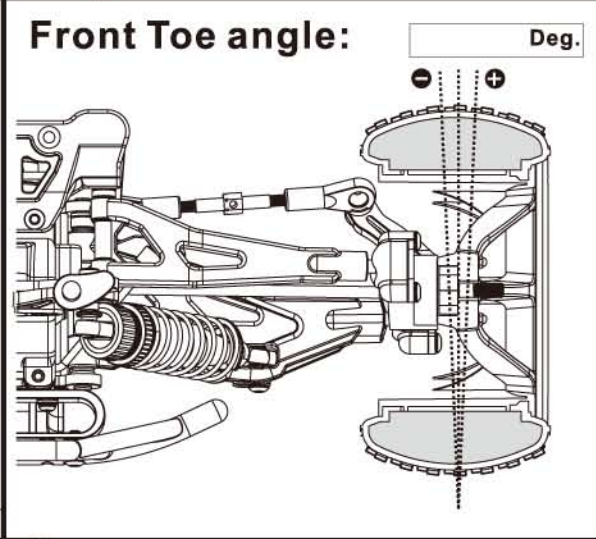
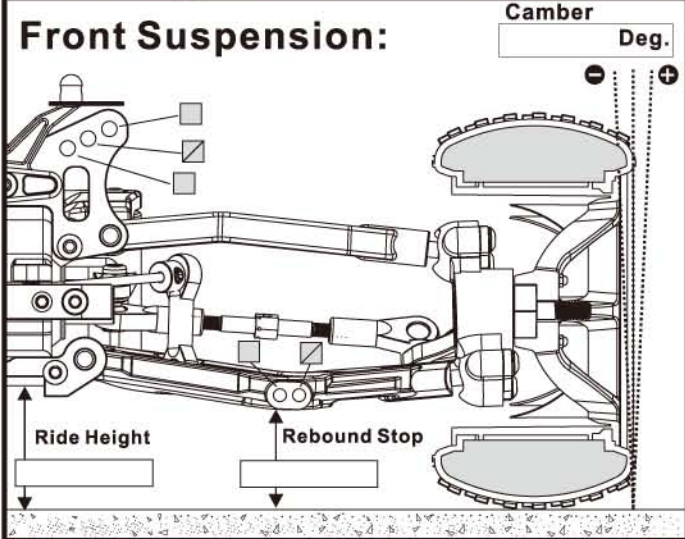
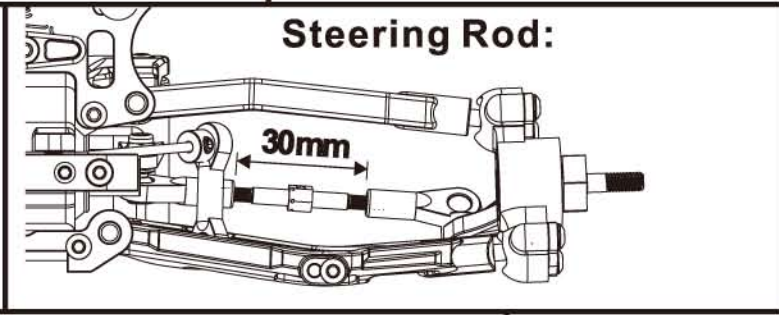
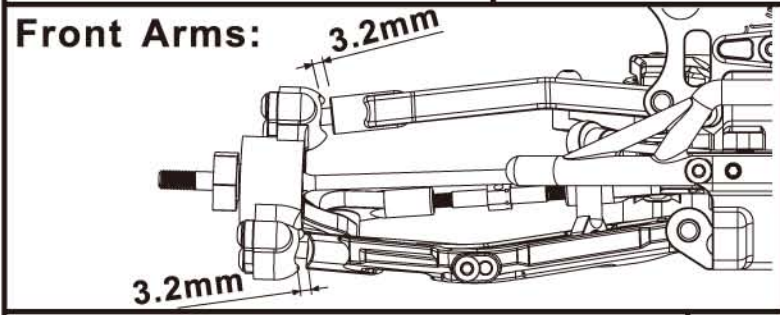
69



11273
Snap pin

Name: _____
 Date: _____
 Track: _____

Length:	Front width:	Rear width:	Wheelbase:	Height:	Weight:
Engine	Diff.Oil		Clutch bell		
Type:	Front:Grease		13T <input type="checkbox"/> 14T <input checked="" type="checkbox"/> other:		
Gasket:	Center:Grease		Spur gear		
Plug:	Rear:Grease		42T <input checked="" type="checkbox"/> other:		
Fuel:					



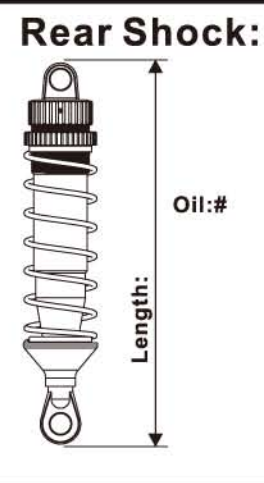
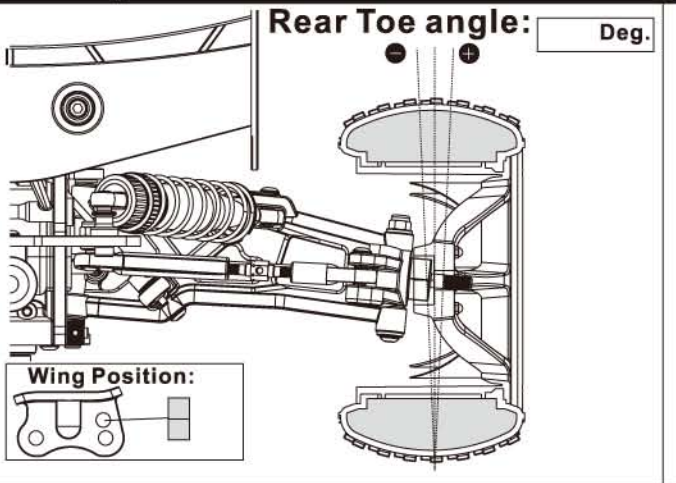
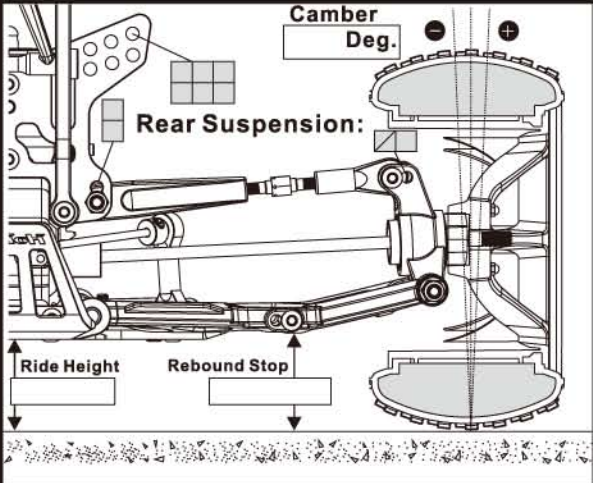
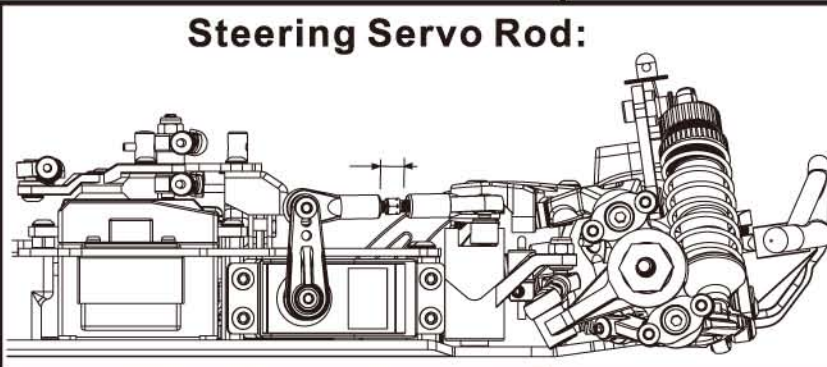
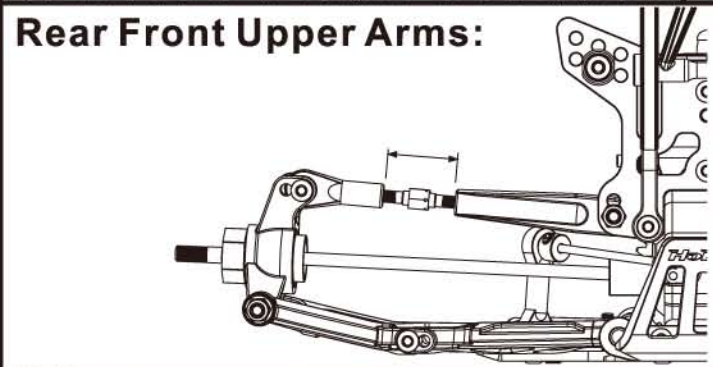
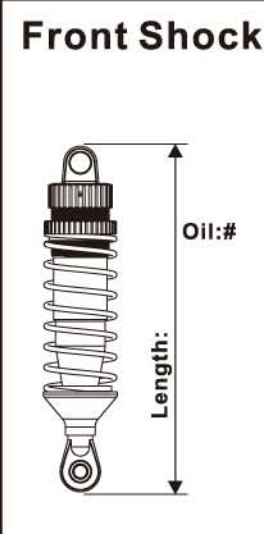
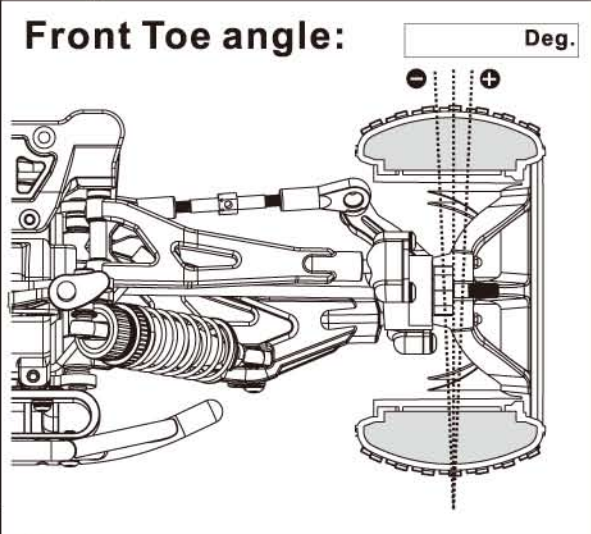
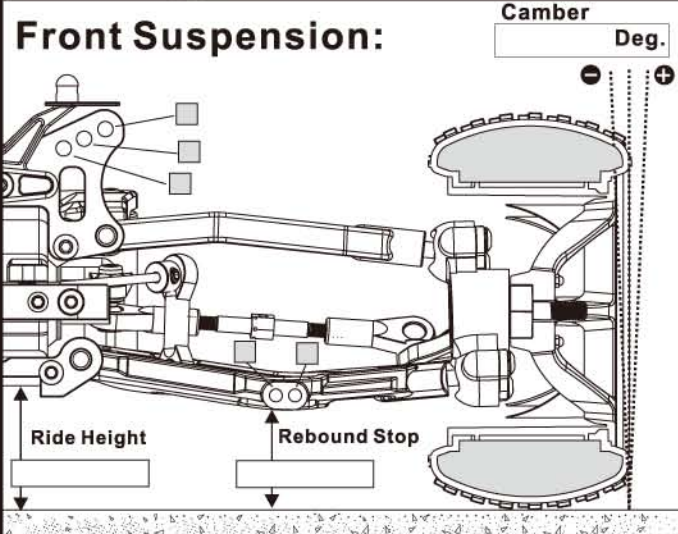
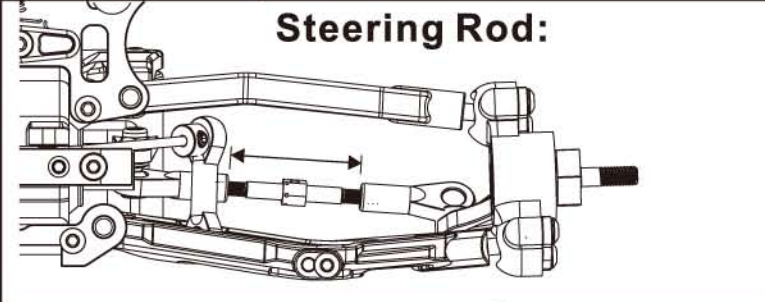
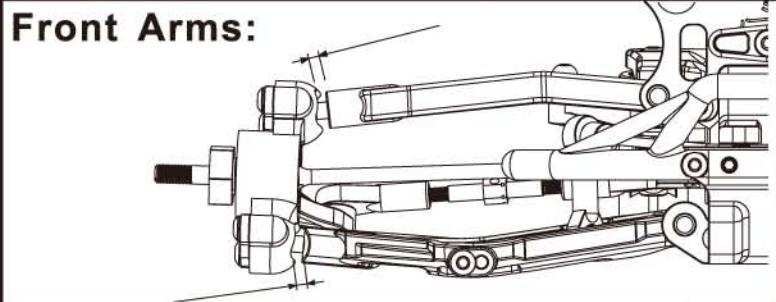
Name: _____
 Date: _____
 Track: _____

Length: _____ Front width: _____ Rear width: _____ Wheelbase: _____ Height: _____ Weight: _____

Engine
 Type: _____
 Gasket: _____
 Plug: _____
 Fuel: _____

Diff.Oil
 Front: Grease
 Center: Grease
 Rear: Grease

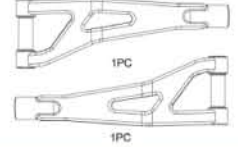
Clutch bell
 13T 14T other: _____
 Spur gear
 42T other: _____



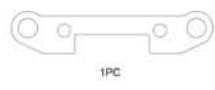
11201



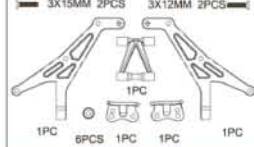
11211



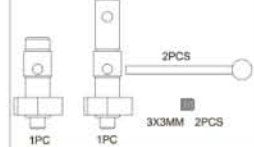
11221



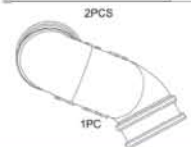
11231



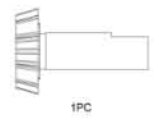
11241



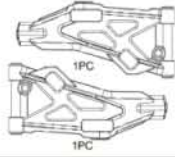
11251



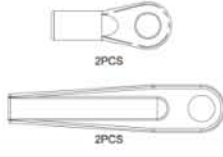
11202



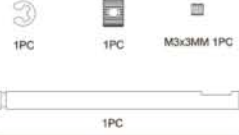
11212



11222



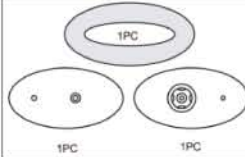
11232



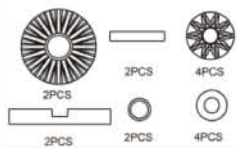
11242



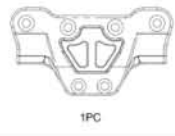
11252



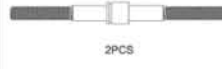
11203



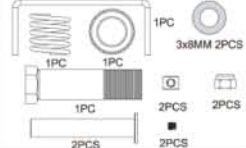
11213



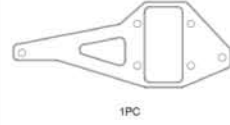
11223



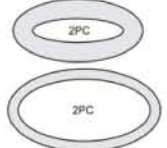
11233



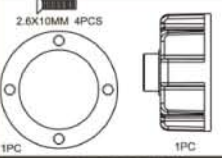
11243



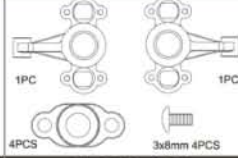
11253



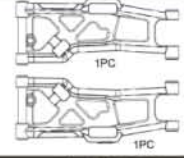
11204



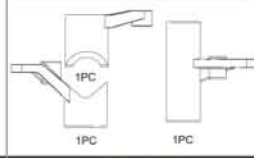
11214



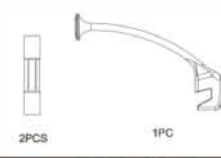
11224



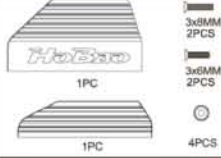
11234



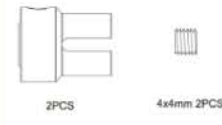
11244



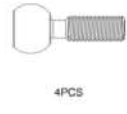
11254



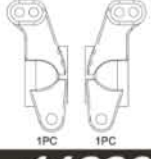
11205



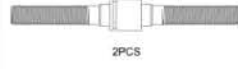
11215



11225



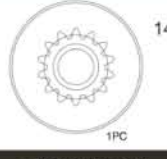
11235



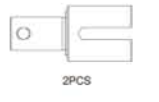
11245



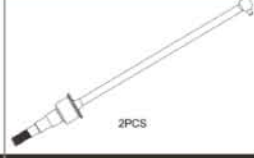
11255



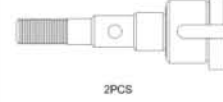
11206



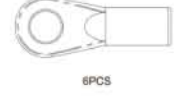
11216



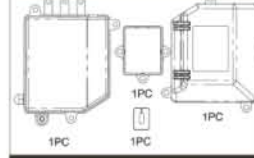
11226



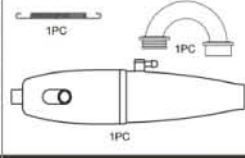
11236



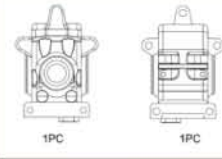
11246



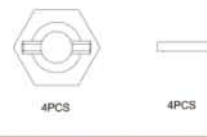
11256



11207



11217



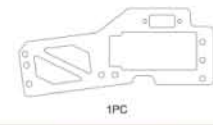
11227



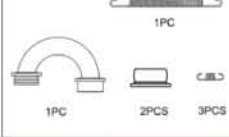
11237



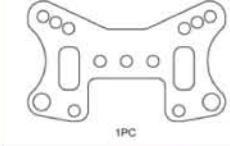
11247



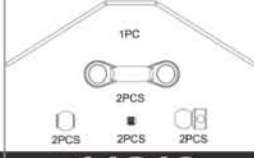
11257



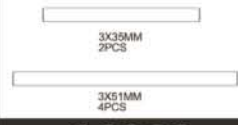
11208



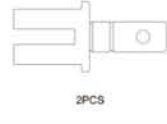
11218



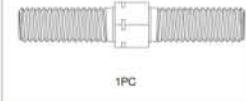
11228



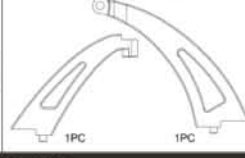
11238



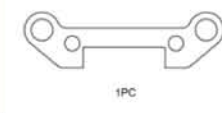
11248



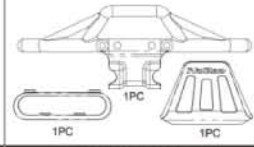
11258



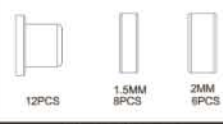
11209



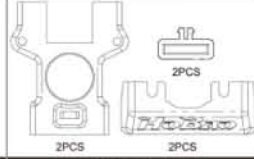
11219



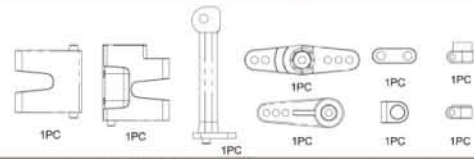
11229



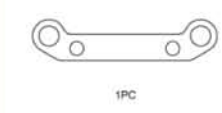
11239



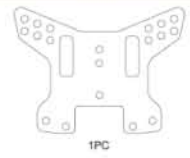
11249



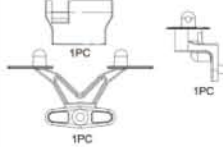
11210



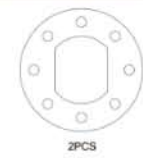
11220



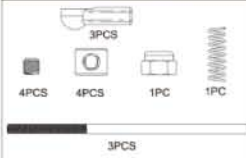
11230



11240



11250

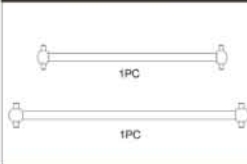


11259

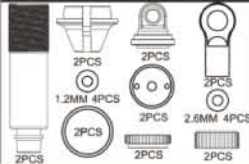


PARTS LIST

11260



11270



22012



84053



88061

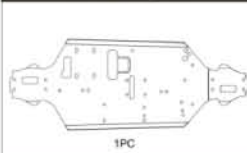


OPTIONAL

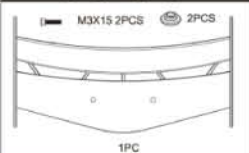
11281



11261



11271



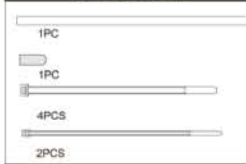
22028



84075



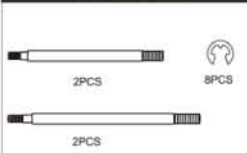
88081



11282



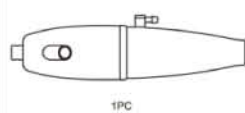
11262



11272



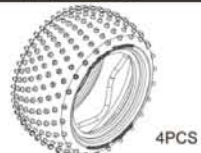
22111



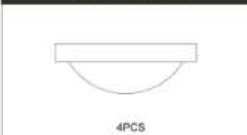
84077



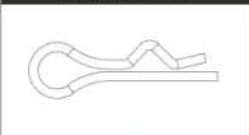
11283



11263



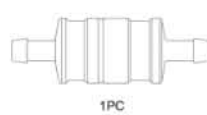
11273



22148



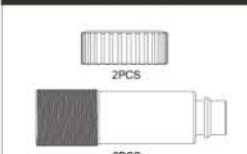
84112



11284



11264



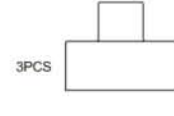
11274



224044



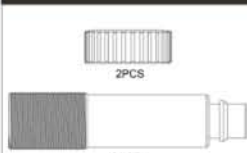
84133



224064



11265



11275



224065



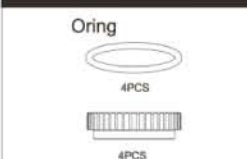
84135



88087



11266



11276



224066



84187-W



11267



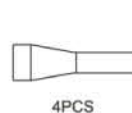
11277



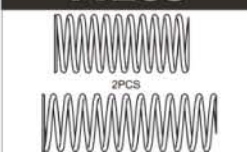
224210



87018



11268



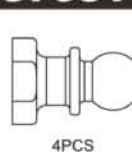
11278



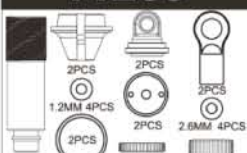
84052



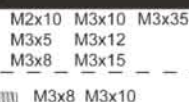
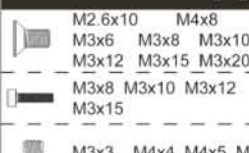
87031



11269



11279



87078





HO BAO ENTERPRISING CO.,LTD.

www.hobao-racing.com

E-Mail:hobao@hobao.com.tw

Made in Taiwan